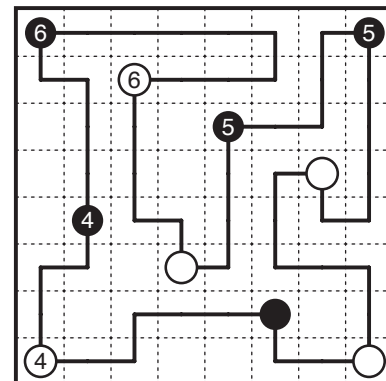
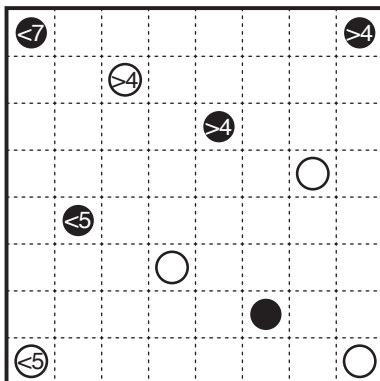
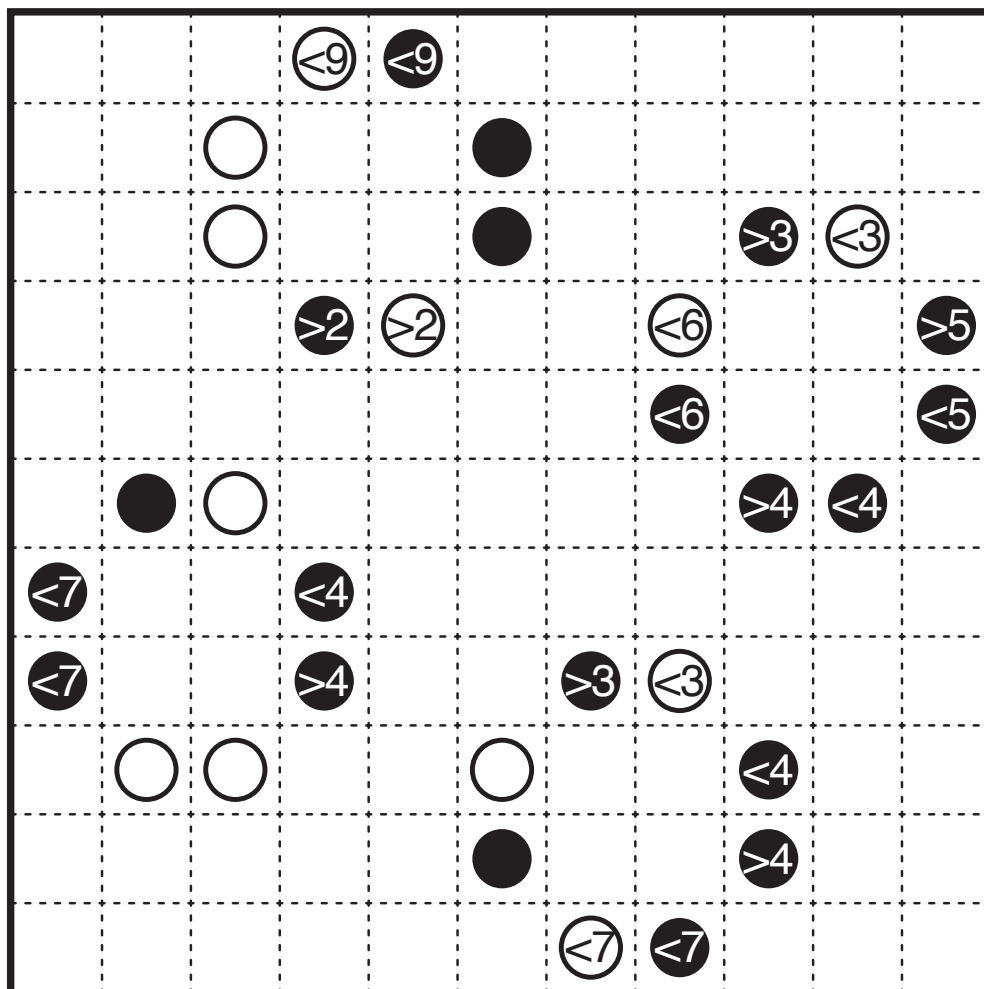


Balance Loop (Inequality) by Prasanna Seshadri

Rules: Standard Balance Loop rules. Also, number clues are not fully specified and must strictly follow the inequality values given.



Example by Serkan Yürekli



Twins in Rings