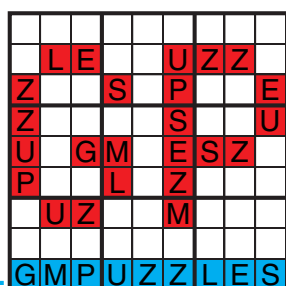


**WEEK 49**  
**2022/12/12-17**

# SOLUTIONS



## GRANDMASTER PUZZLES



[www.GMPUZZLES.com](http://www.GMPUZZLES.com)

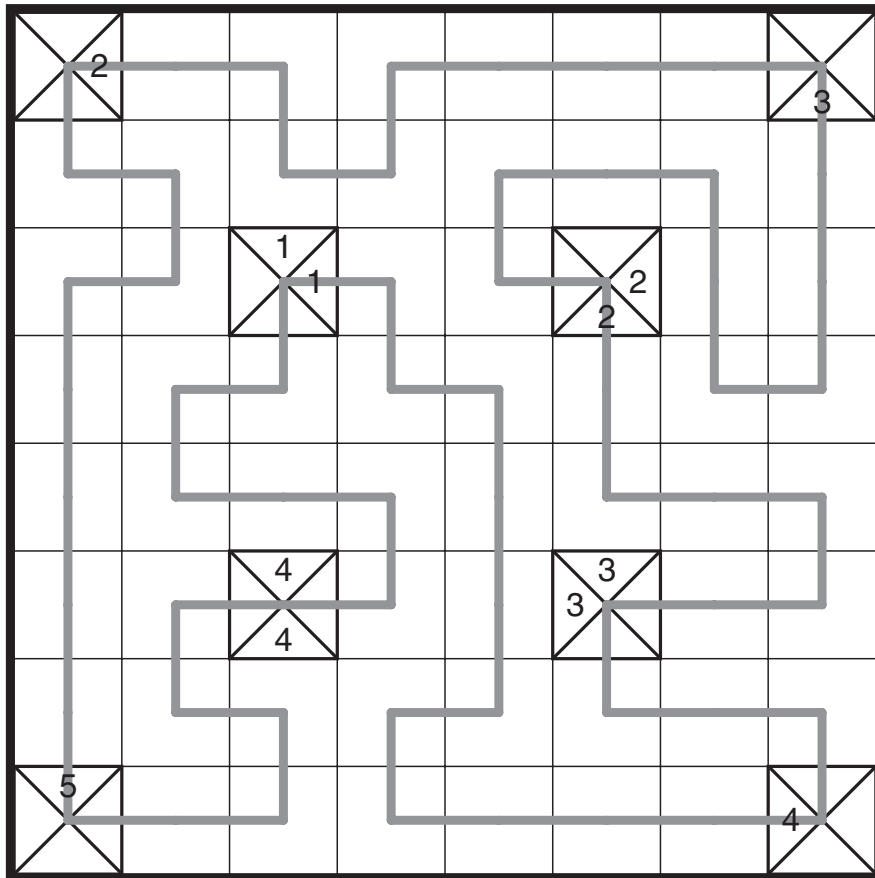


<https://www.gmpuzzles.com/blog/category/loop/>

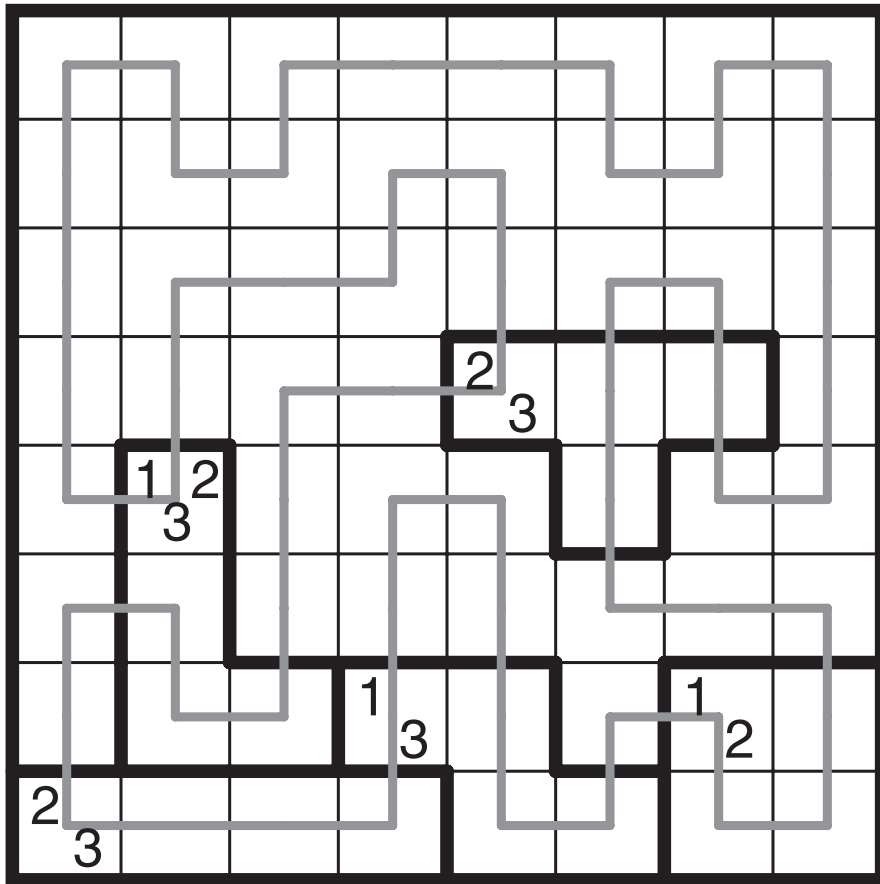


<https://shop.gmpuzzles.com/search?q=loop>

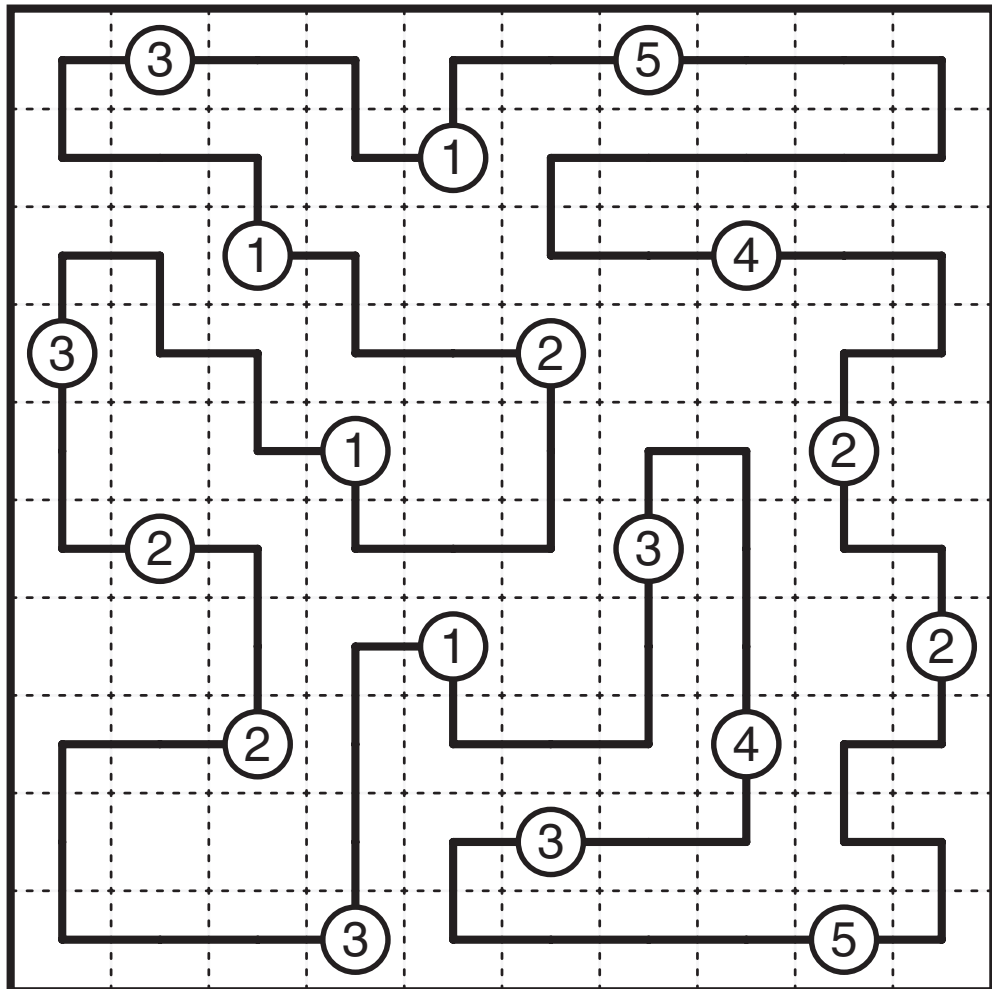
# Mukkonn Enn by Serkan Yürekli



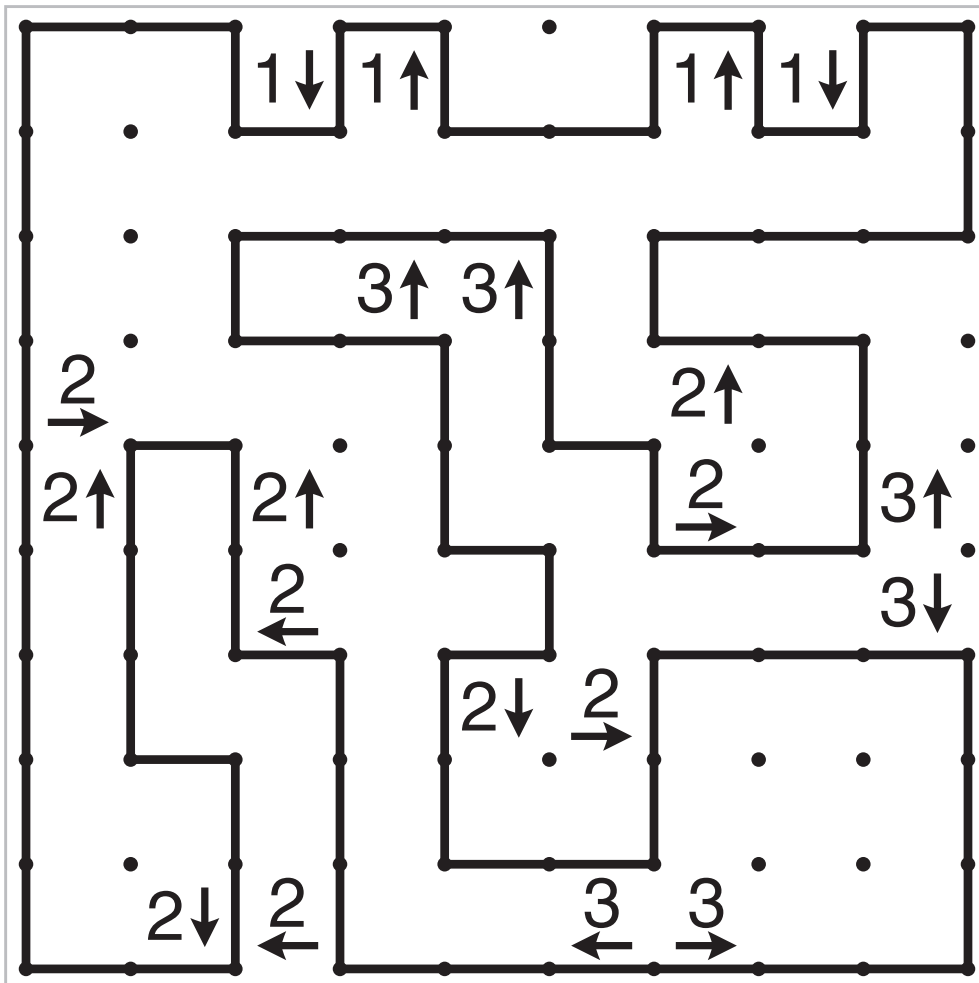
# Rail Pool by Martin Ender



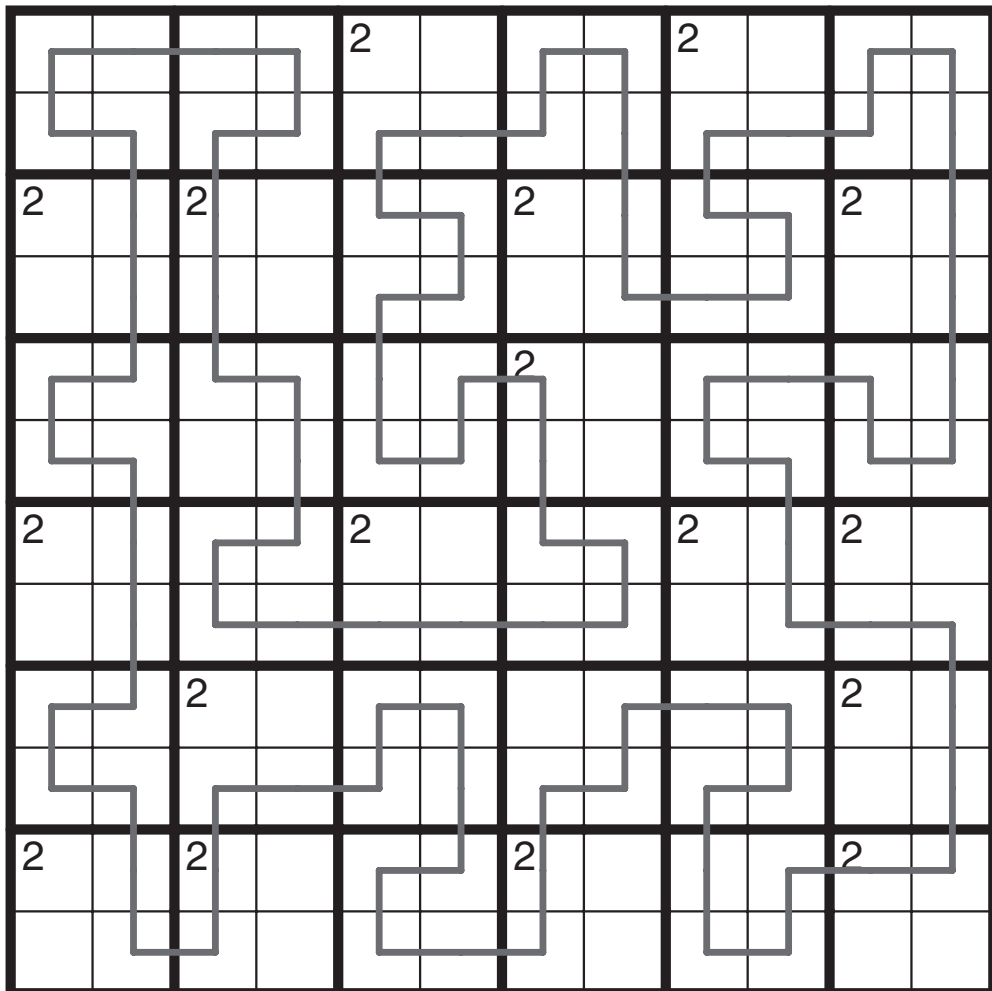
# Geradeweg by Prasanna Seshadri



# Line of Sight by Ashish Kumar



# Country Road by Martin Ender



# Equality by Murat Can Tonta

