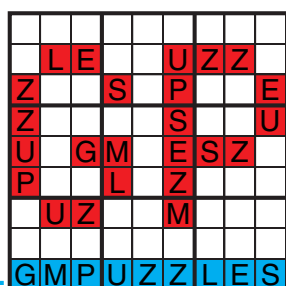


WEEK 24
2022/06/20-25

SOLUTIONS



GRANDMASTER PUZZLES



www.GMPUZZLES.com

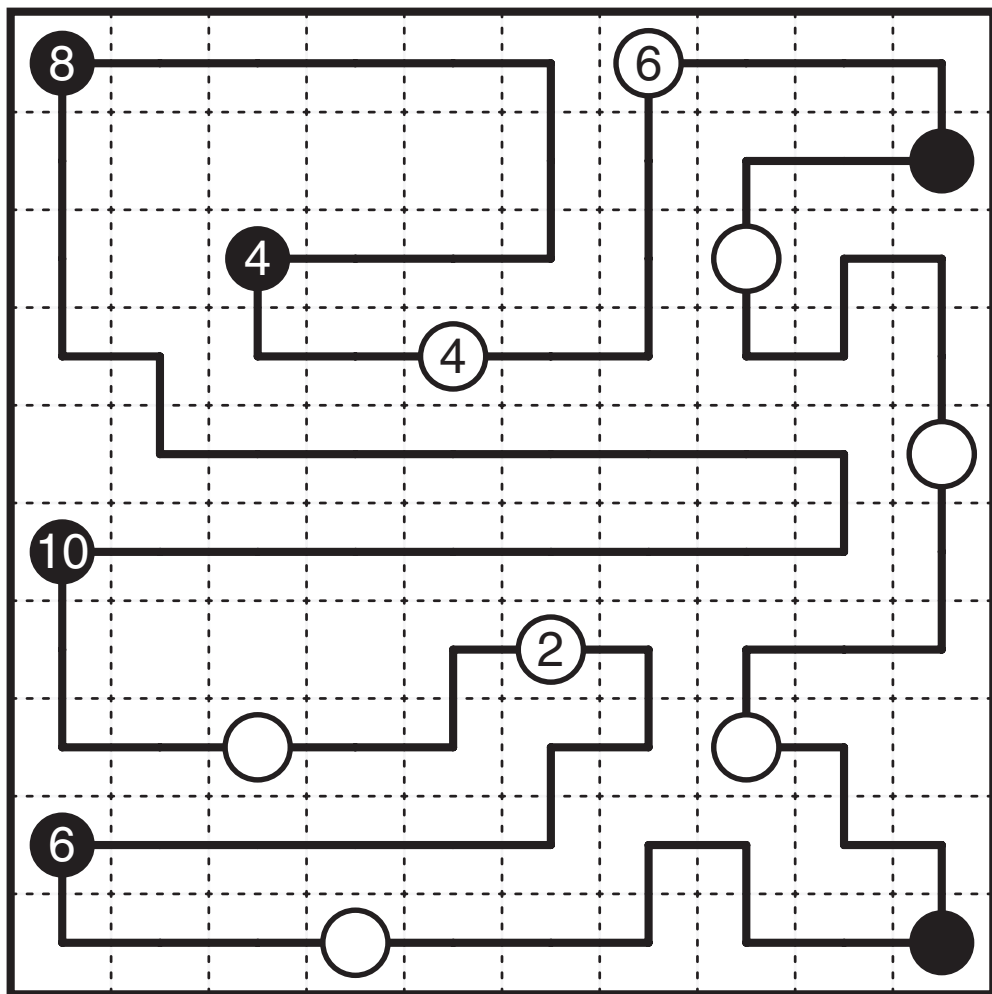


<https://www.gmpuzzles.com/blog/category/balance-loop/>

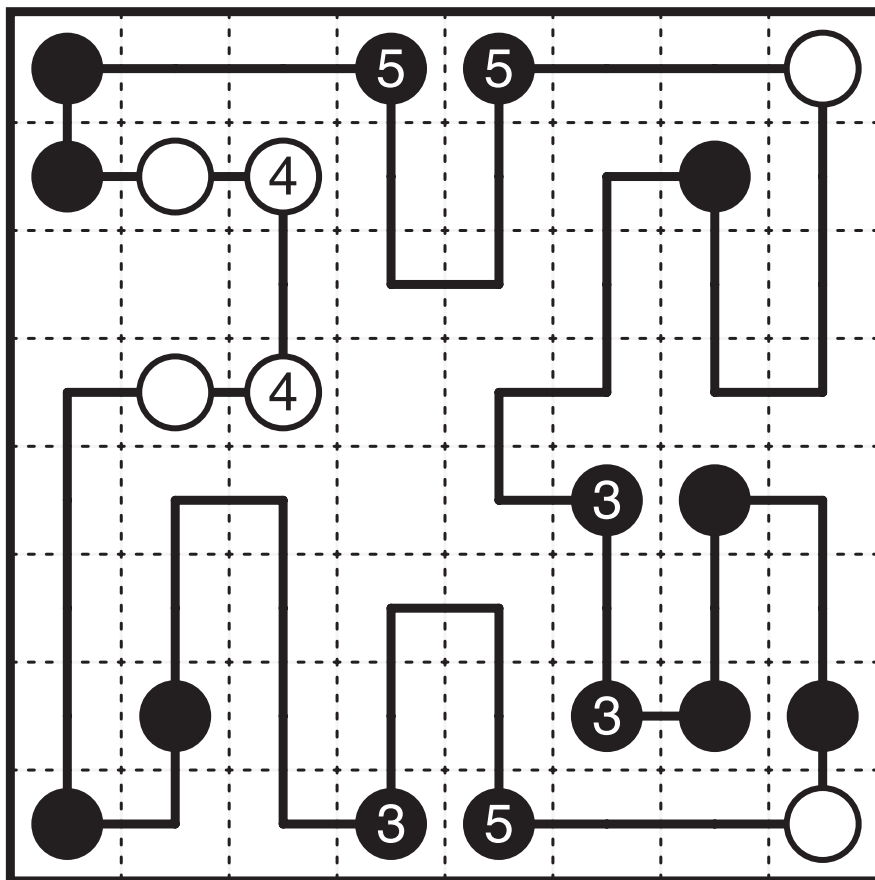


<https://shop.gmpuzzles.com/search?q=balance+loop>

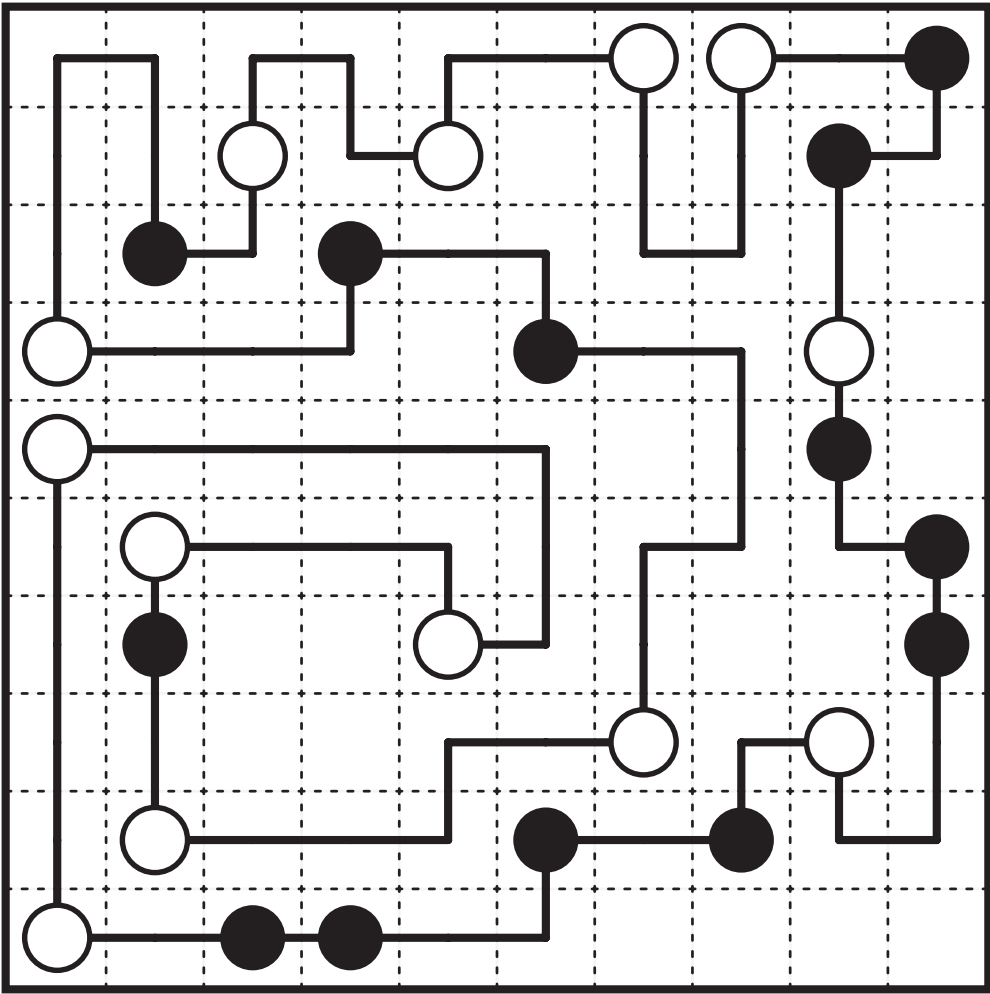
Balance Loop by Murat Can Tonta



Balance Loop (Either/Or) by Serkan Yürekli



Balance Loop by wormsofcan



Balance Loop (Inequality) by Prasanna Seshadri

