

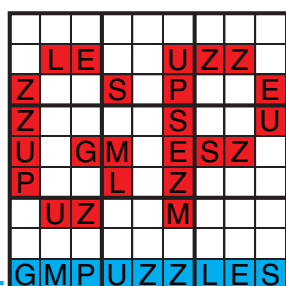
WEEK 7

2021/02/22-27

SOLUTIONS



GRANDMASTER PUZZLES



www.gmpuzzles.com

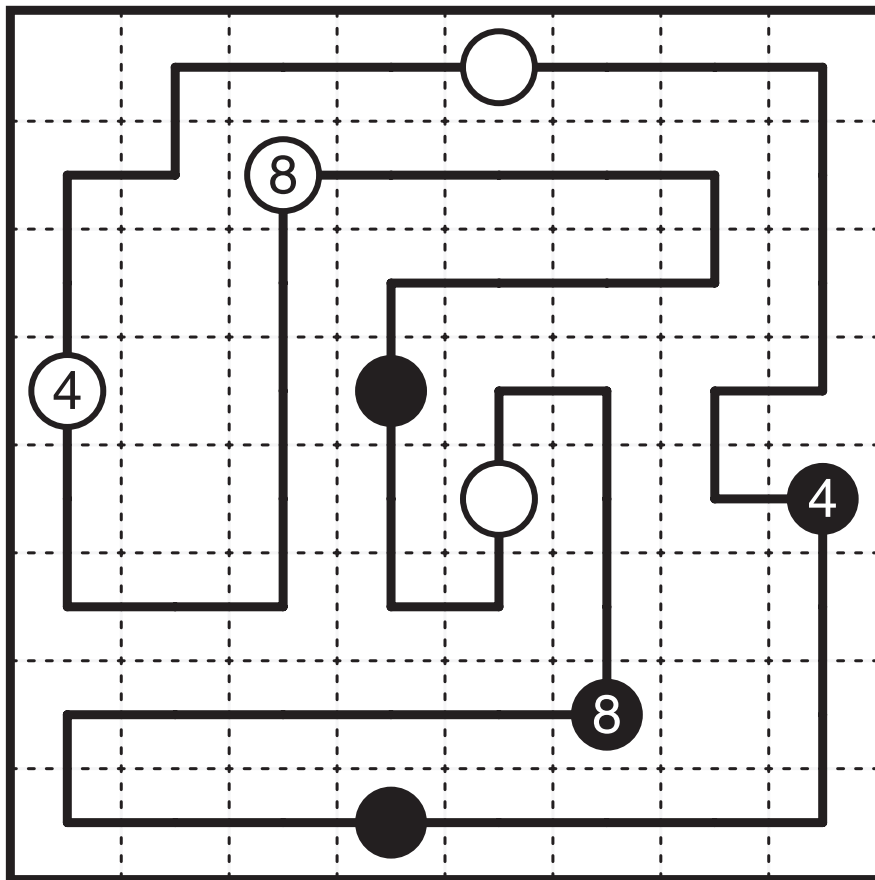


<https://www.gmpuzzles.com/blog/category/balance-loop/>

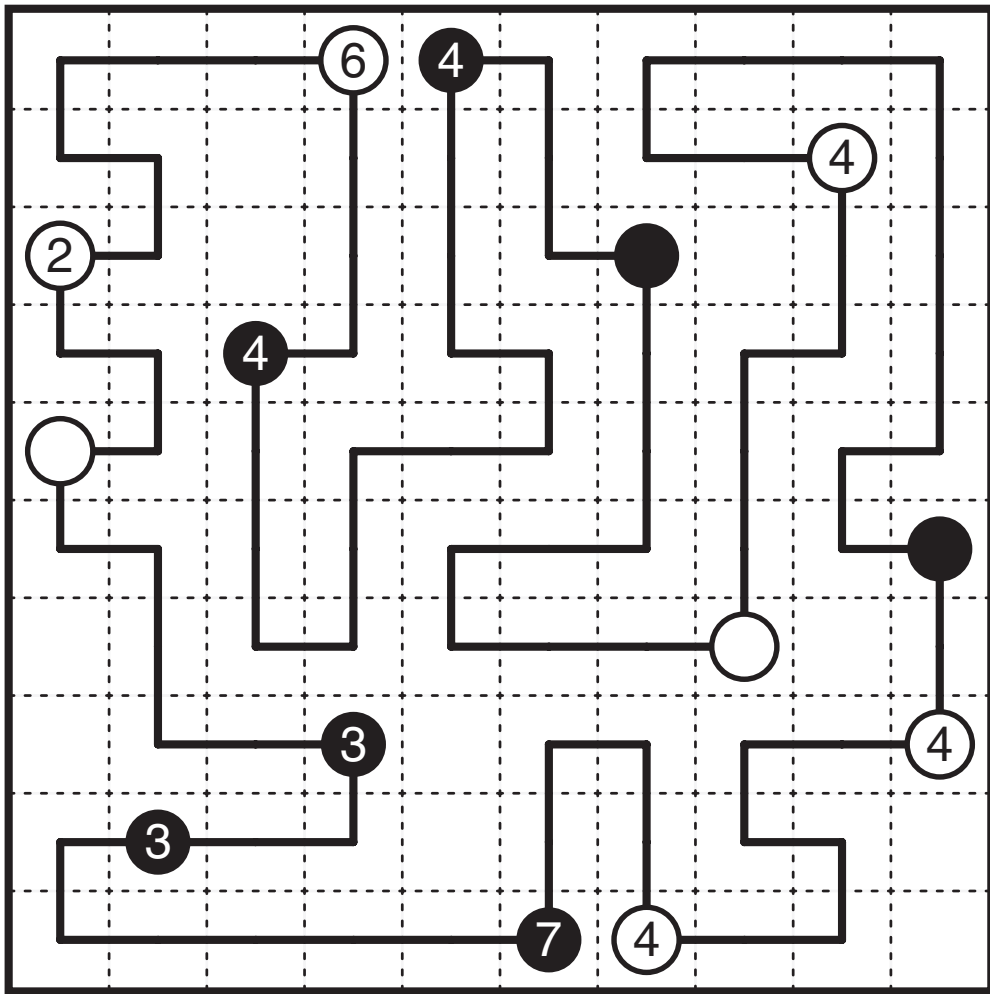


<https://shop.gmpuzzles.com/search?q=balance+loop>

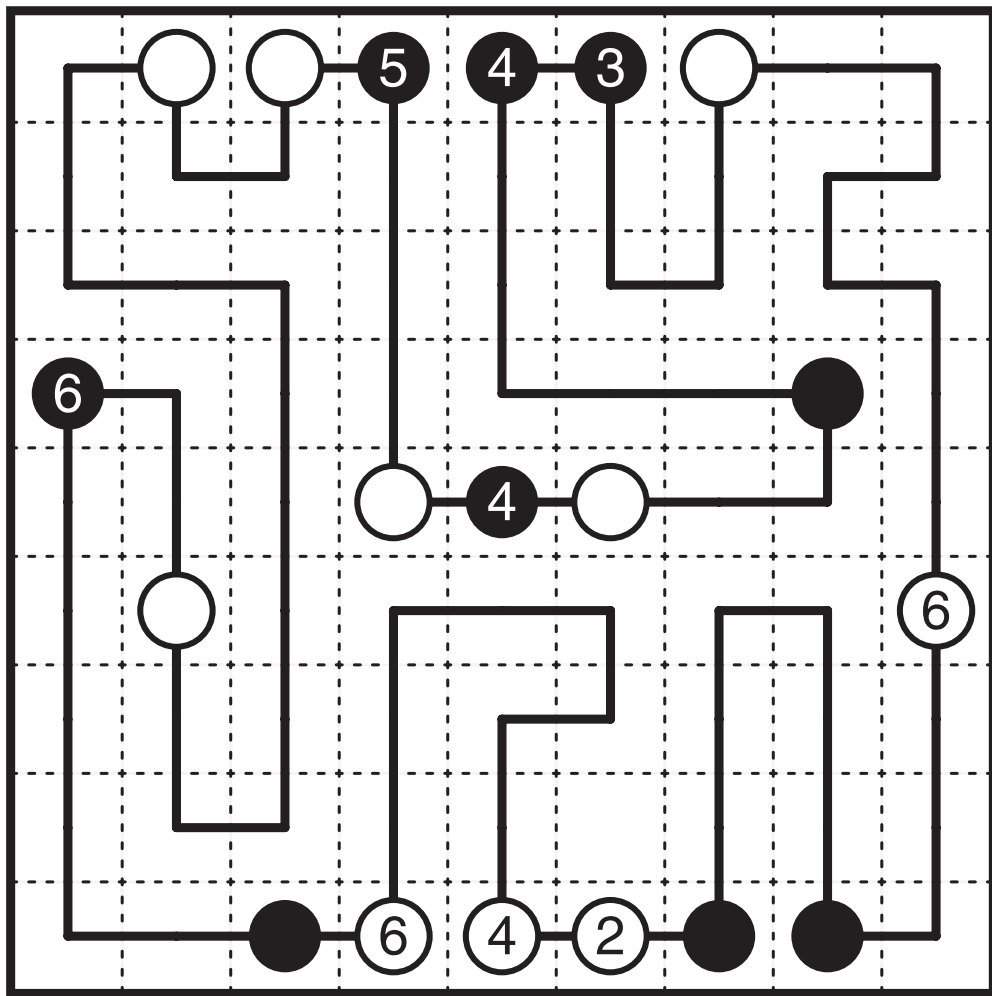
Balance Loop by Prasanna Seshadri



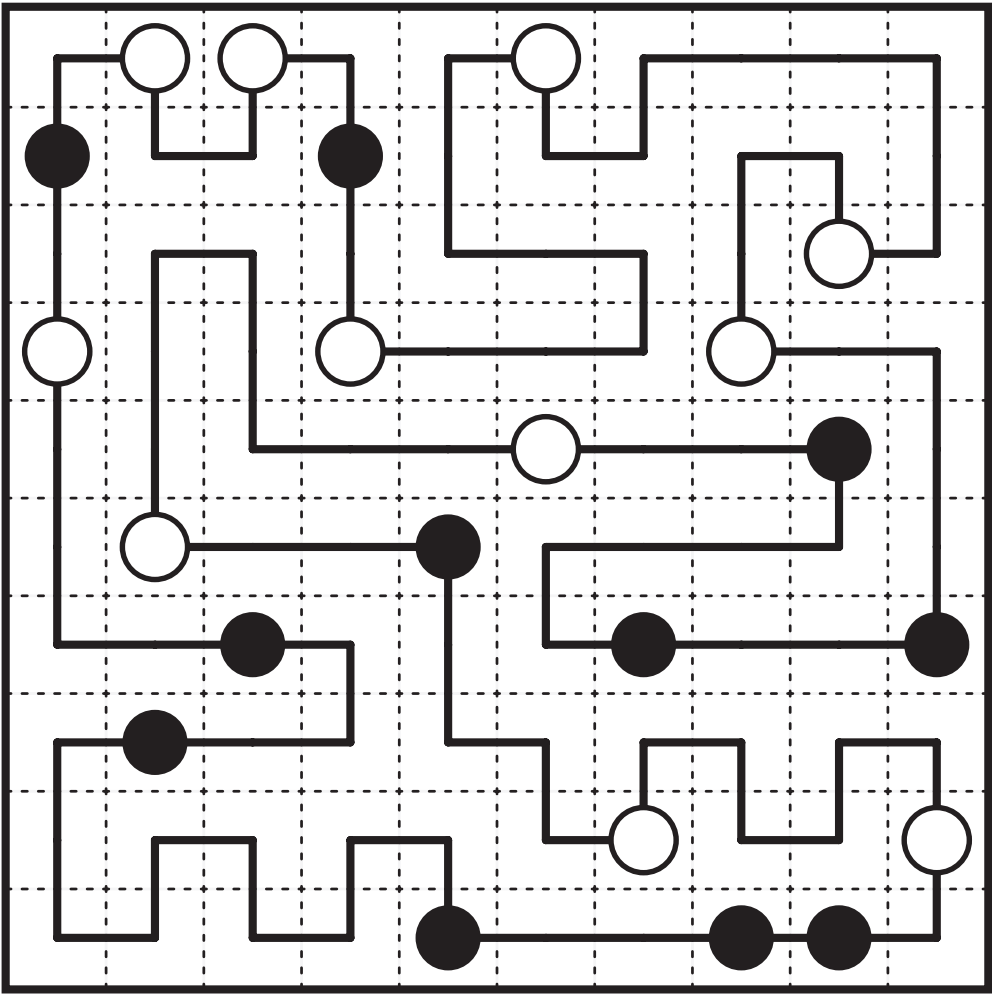
Balance Loop by Grant Fikes



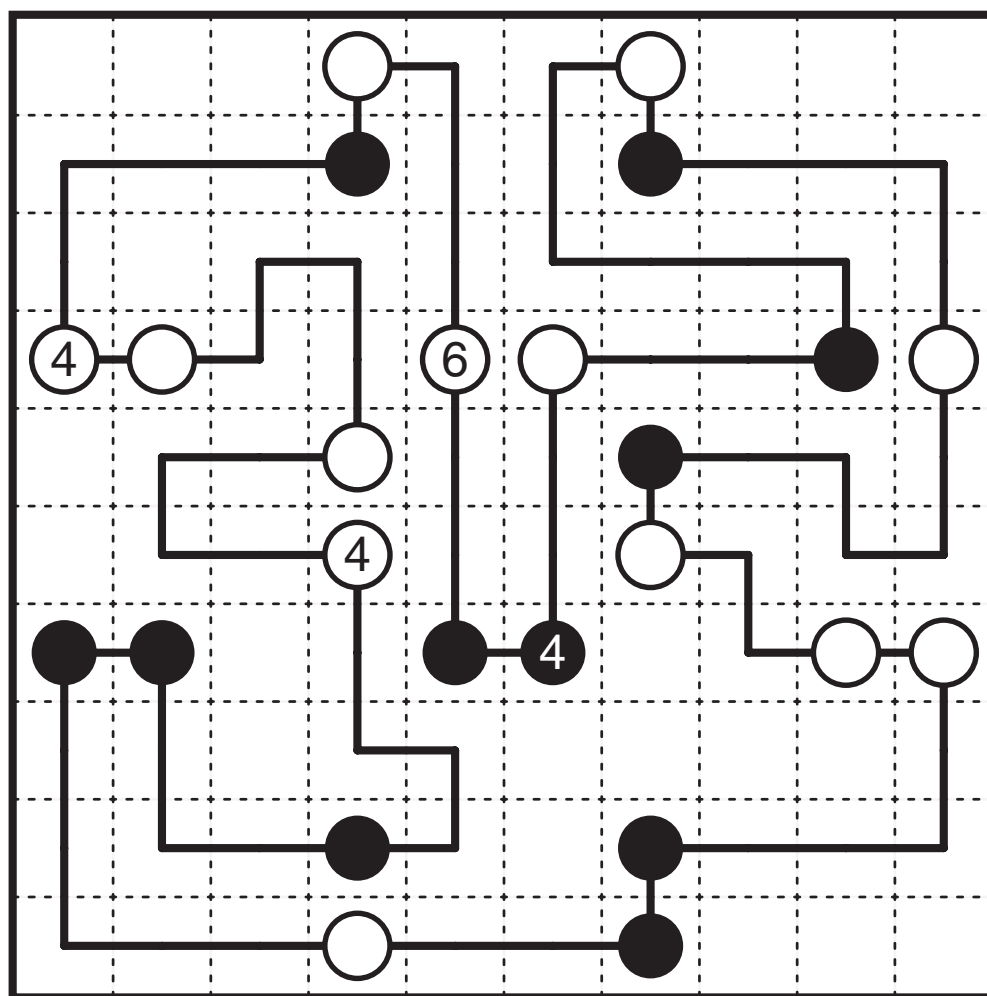
Balance Loop by Prasanna Seshadri



Balance Loop (All Cells) by Murat Can Tonta



Balance Loop by Jonas Gleim



Balance Loop (Star Battle) by Serkan Yürekli

