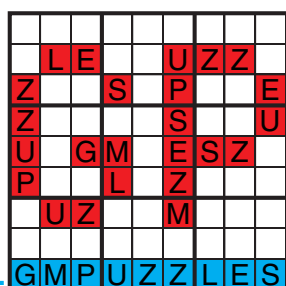


WEEK 24
2020/11/09-14

SOLUTIONS



GRANDMASTER PUZZLES



www.GMPUZZLES.com

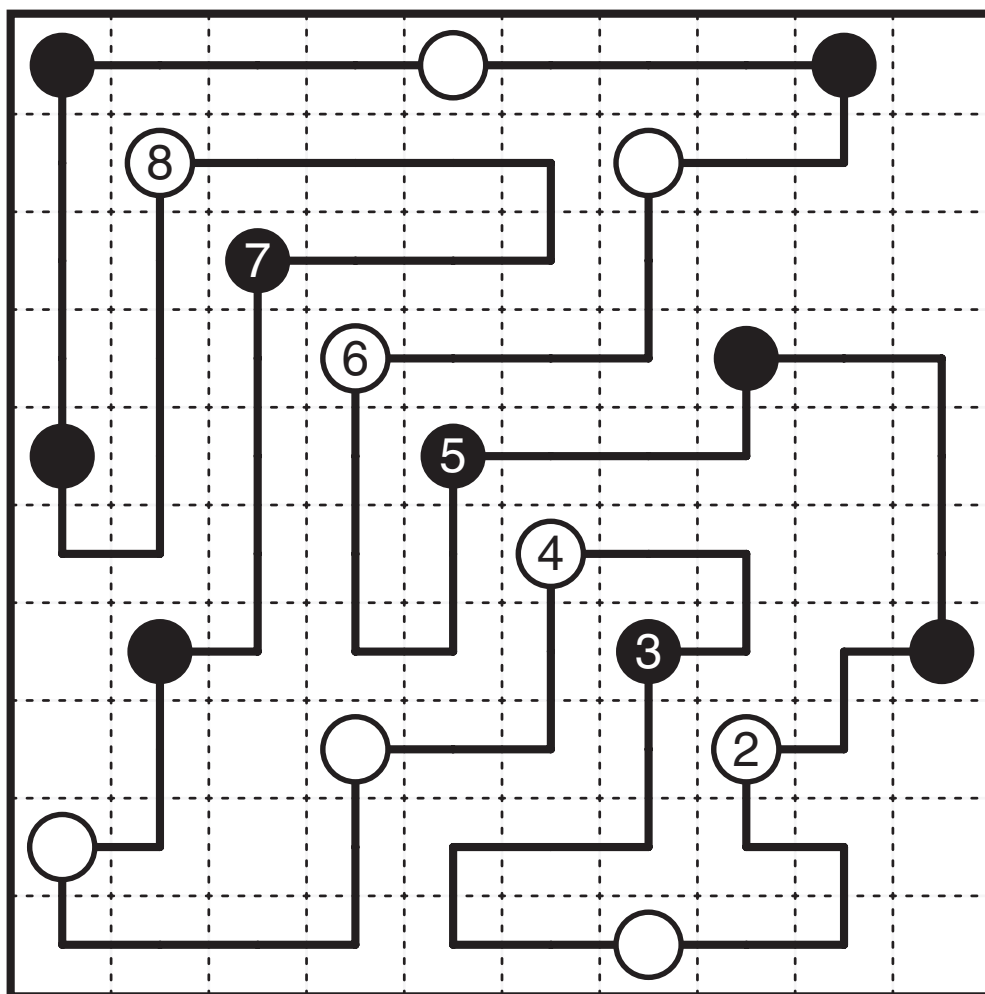


<https://www.gmpuzzles.com/blog/category/balance-loop/>

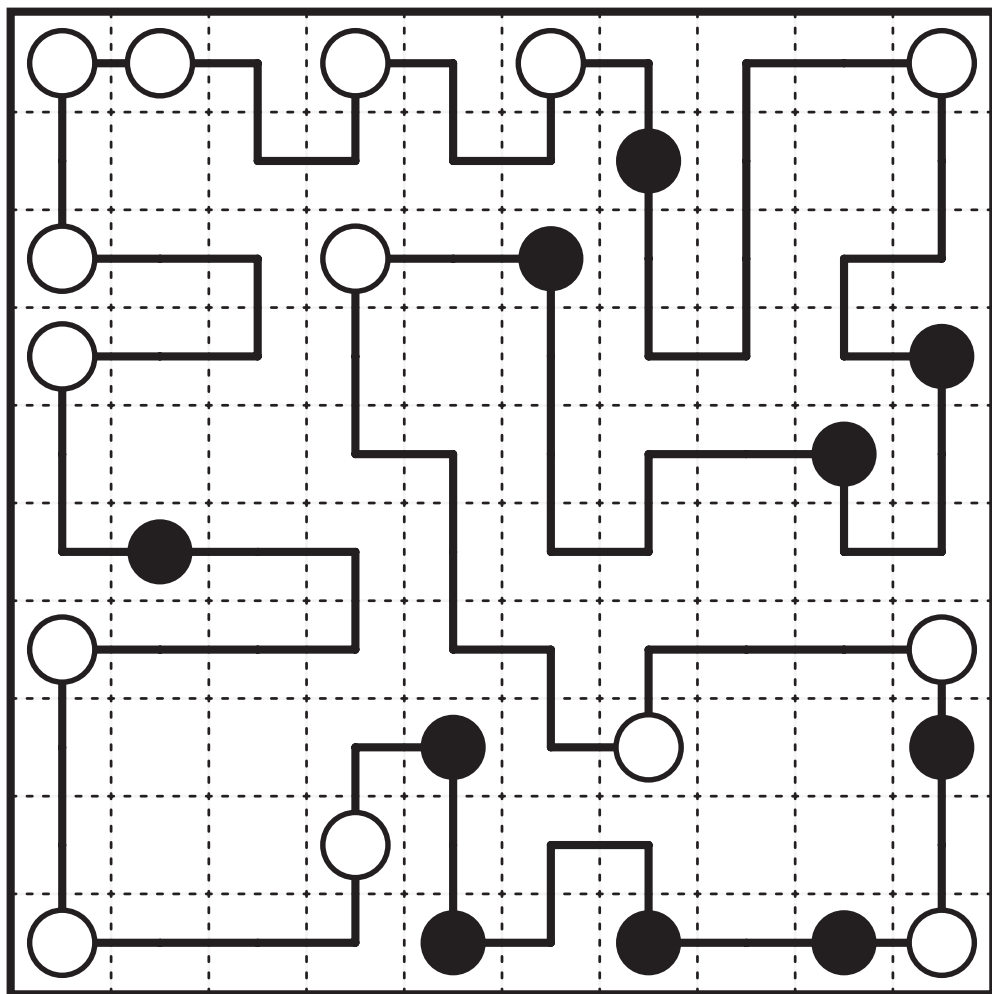


<https://shop.gmpuzzles.com/search?q=balance+loop>

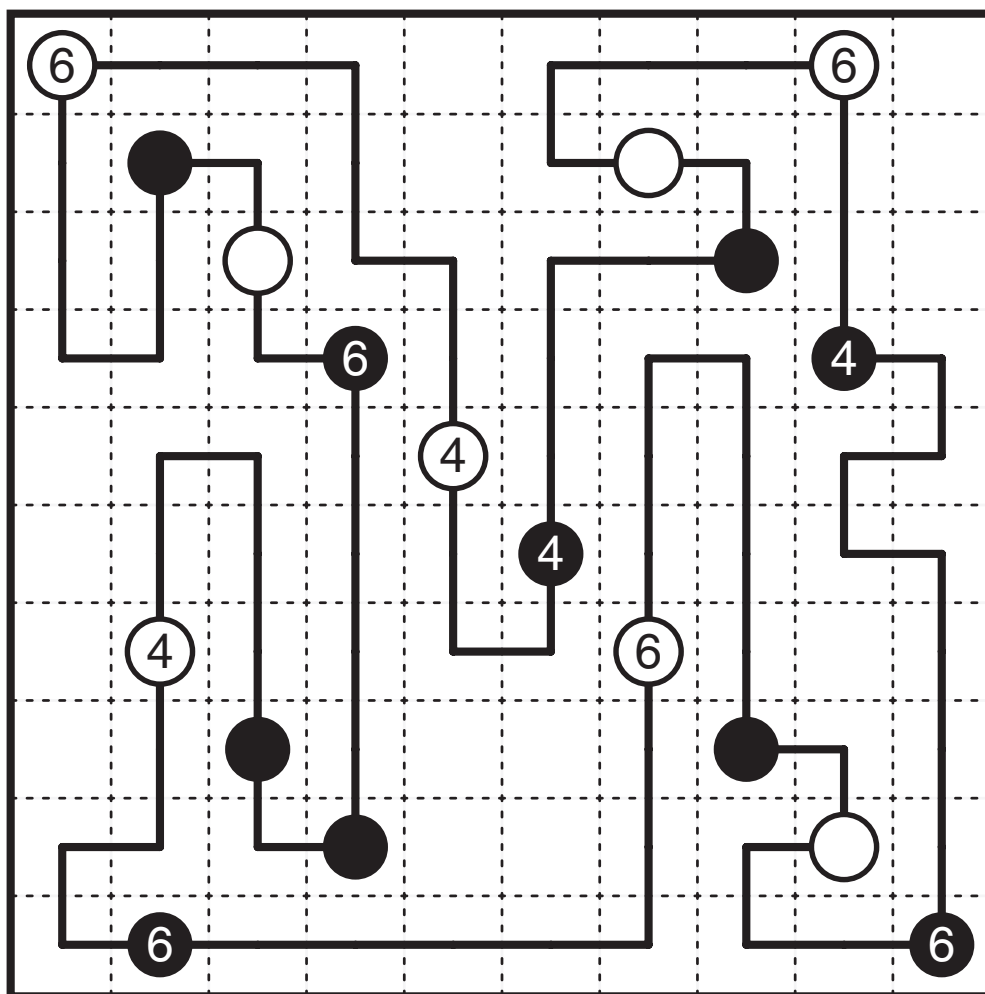
Balance Loop by Prasanna Seshadri



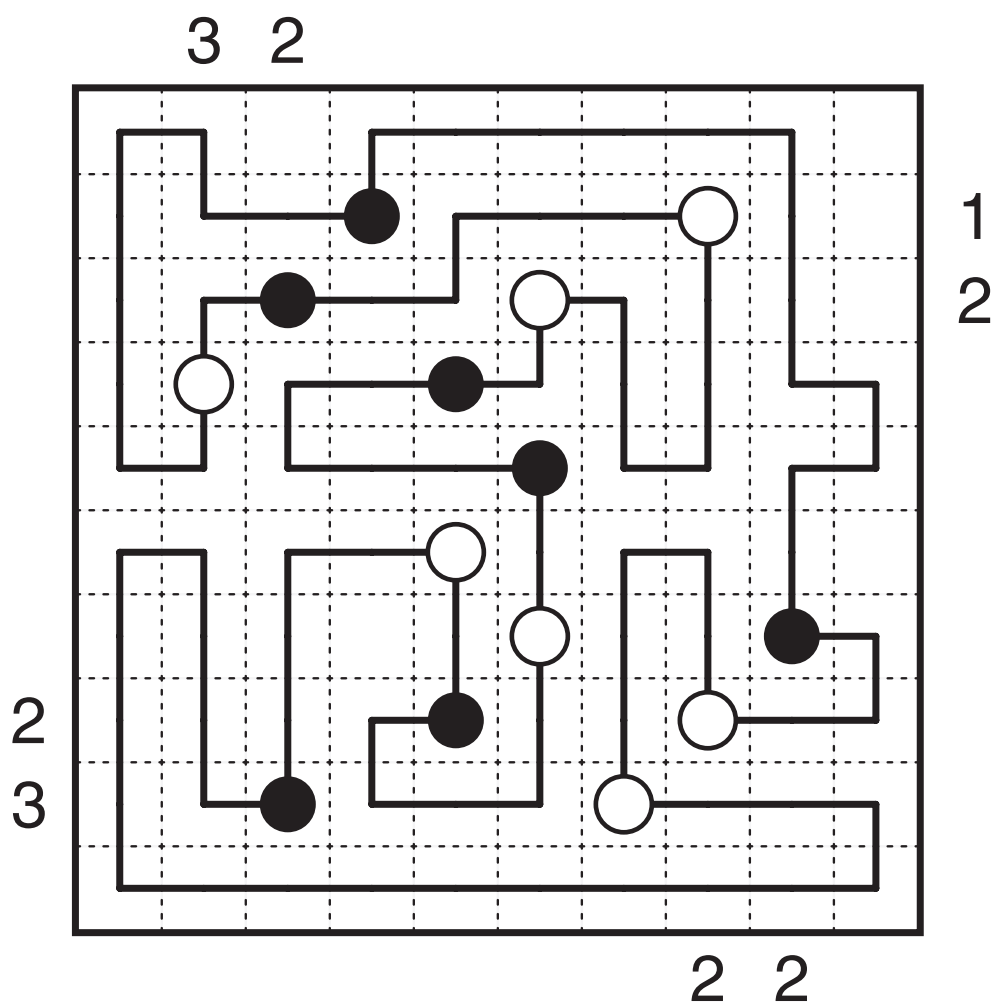
Balance Loop by Grant Fikes



Balance Loop by Prasanna Seshadri



Balance Loop (Skyscrapers) by Murat Can Tonta



Balance Loop (Star Battle) by Serkan Yürekli

