

WEEK 1

2020/06/01-06

SOLUTIONS



GRANDMASTER PUZZLES

	LE			UZZ					
Z		S	P					E	
Z			S					U	
U	GM		ESZ						
P		L	Z						
	UZ		M						
www.GMP	UZ	Z	LES						.com

www.GMP

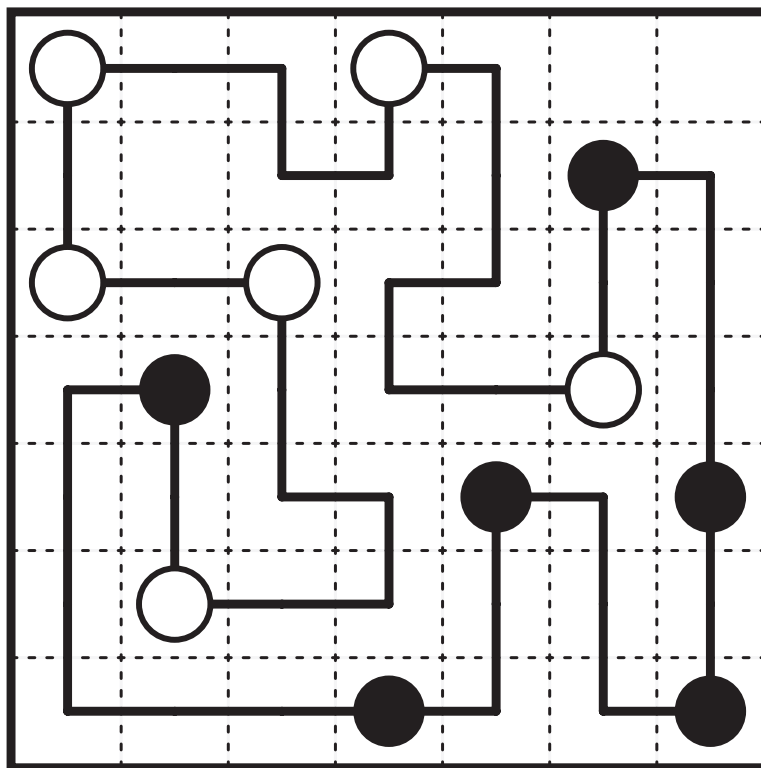


<https://www.gmpuzzles.com/blog/category/variation/>



<https://www.gmpuzzles.com/store/classic-and-variations-series>

Balance Loop by Murat Can Tonta



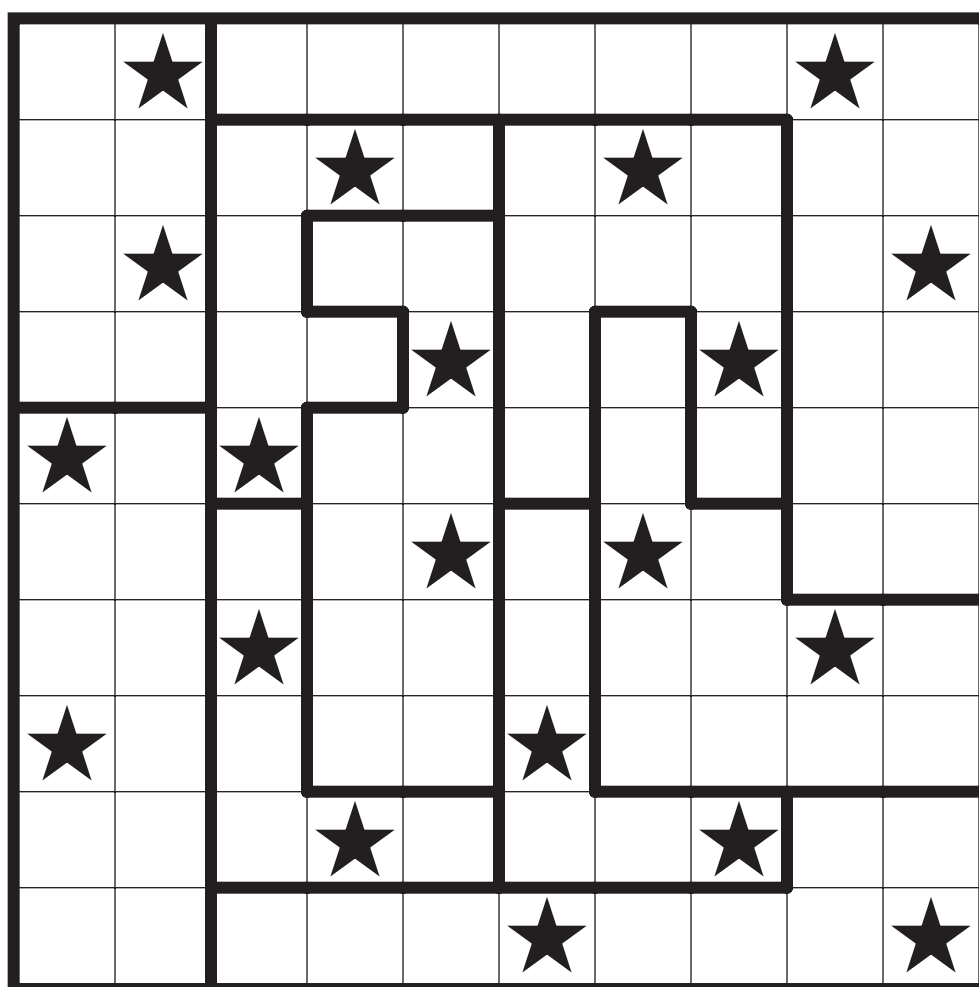
Nanro (Signpost) by John Bulten

	1		2	2		2		1	
	2		1		2	1		2	
3	2	1	2	2		2		2	3
3					2	1			3
3	1	2		2		2	2	1	3
	3		2	3				3	
3	3	2		3	3	2	2	3	3
		3	2	2			3		
3	3	1			2	2	1	3	3
1			2	2	1				1

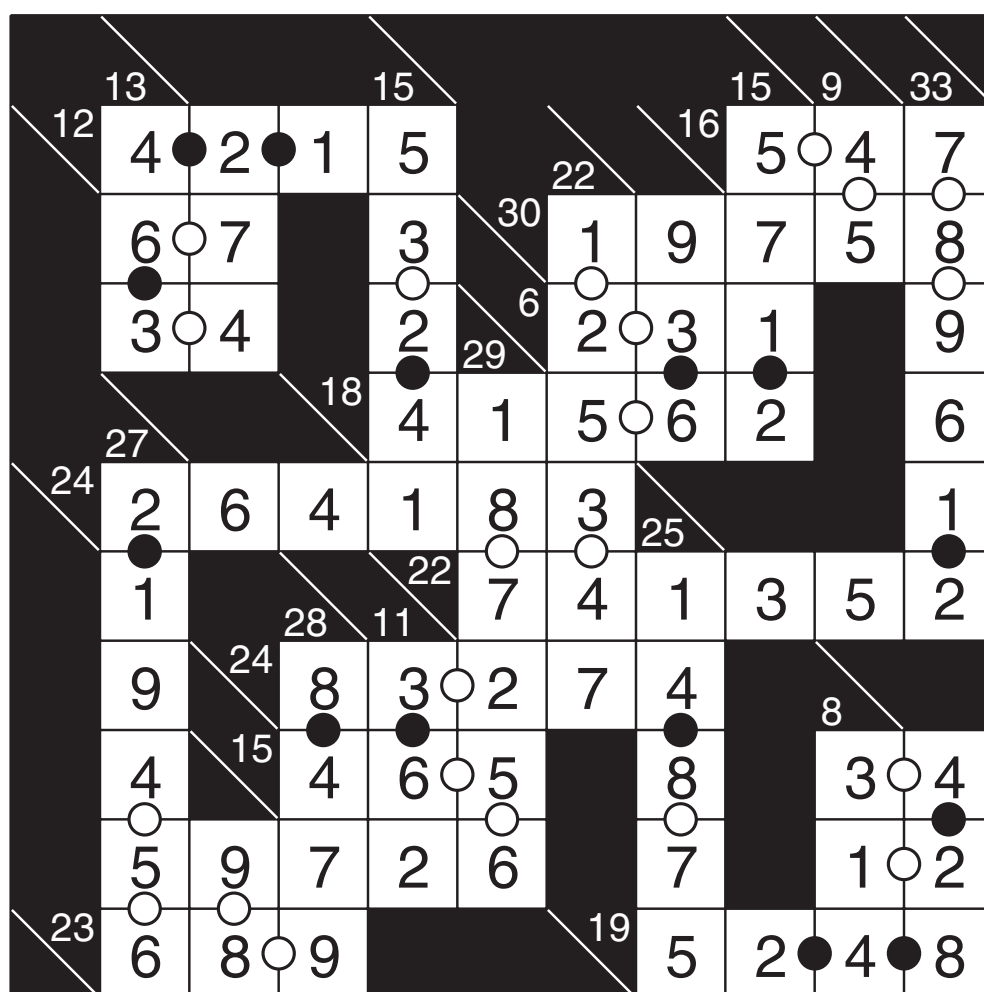
Even/Odd Sudoku by Rajesh Kumar

5	9	6	1	8	7	4	3	2
7	4	3	2	5	6	9	8	1
2	1	8	3	4	9	6	7	5
9	5	4	6	2	8	7	1	3
6	7	1	9	3	5	8	2	4
3	8	2	7	1	4	5	9	6
8	2	5	4	9	3	1	6	7
4	3	7	8	6	1	2	5	9
1	6	9	5	7	2	3	4	8

Star Battle by JinHoo Ahn



Kakuro (Kropki) by Serkan Yürekli



Fillomino by Elyot Grant

24	1	24	24	24	3	3
24	24	24	20	6	6	3
24	17	20	20	6	2	2
24	17	5	20	6	6	6
24	17	5	20	20	3	3
24	17	5	5	20	3	1
24	17	17	5	20	20	20
24	24	17	17	17	17	20
3	24	24	5	5	17	20
3	3	24	5	5	17	20
2	2	24	24	5	17	20
6	6	6	24	17	17	20
3	3	6	24	17	20	20
1	3	6	24	17	20	20
2	2	6	24	24	1	20