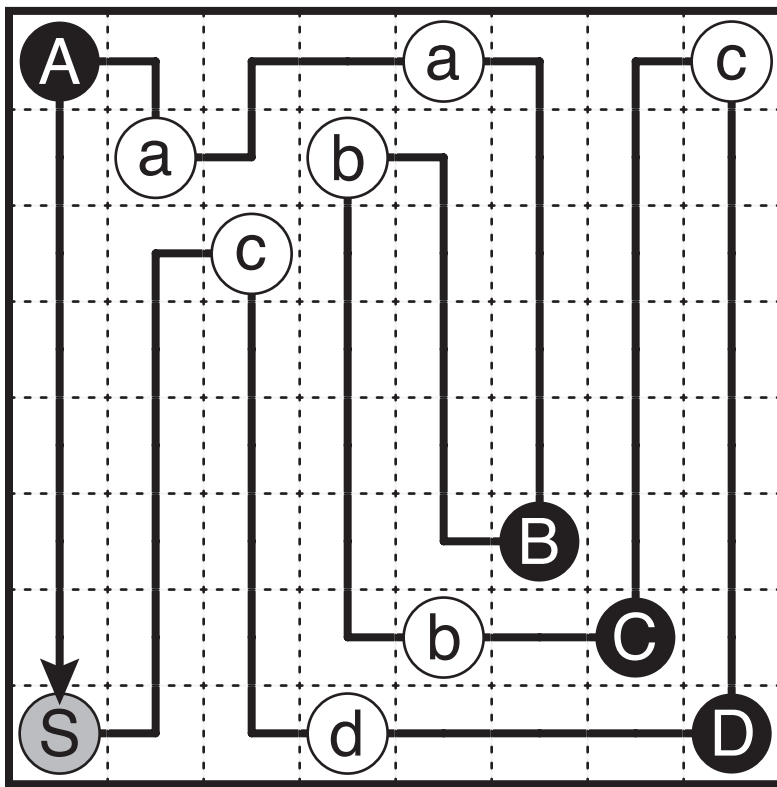


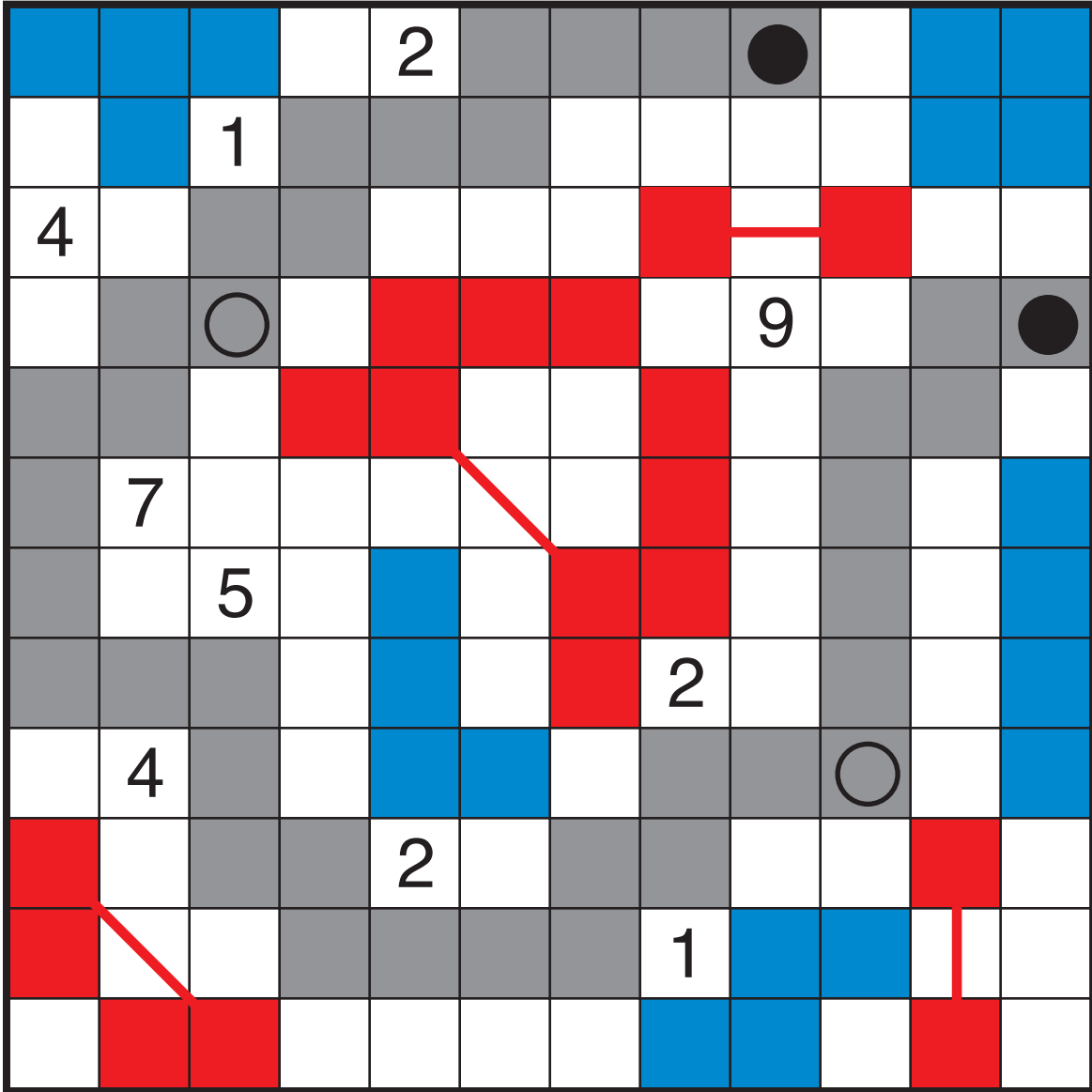
Solutions

2		2		4	4	2	
3		3	4		4		2
3			3	2	3		3
2		2	3				3
4		4			2		2
4		4	3	2	4	4	4
5	5	5		5			
				5	4		

GM: 1:30; M: 2:00; E: 4:00



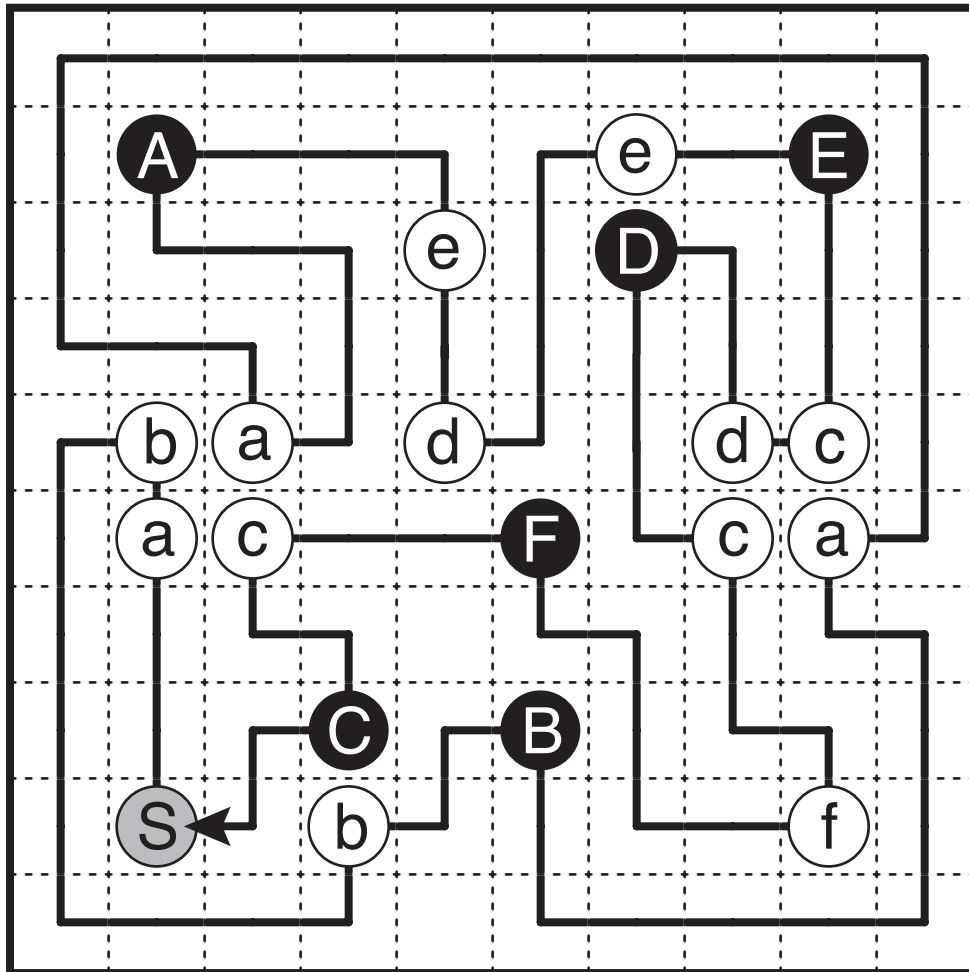
GM: 0:40; M: 1:00; E: 2:00



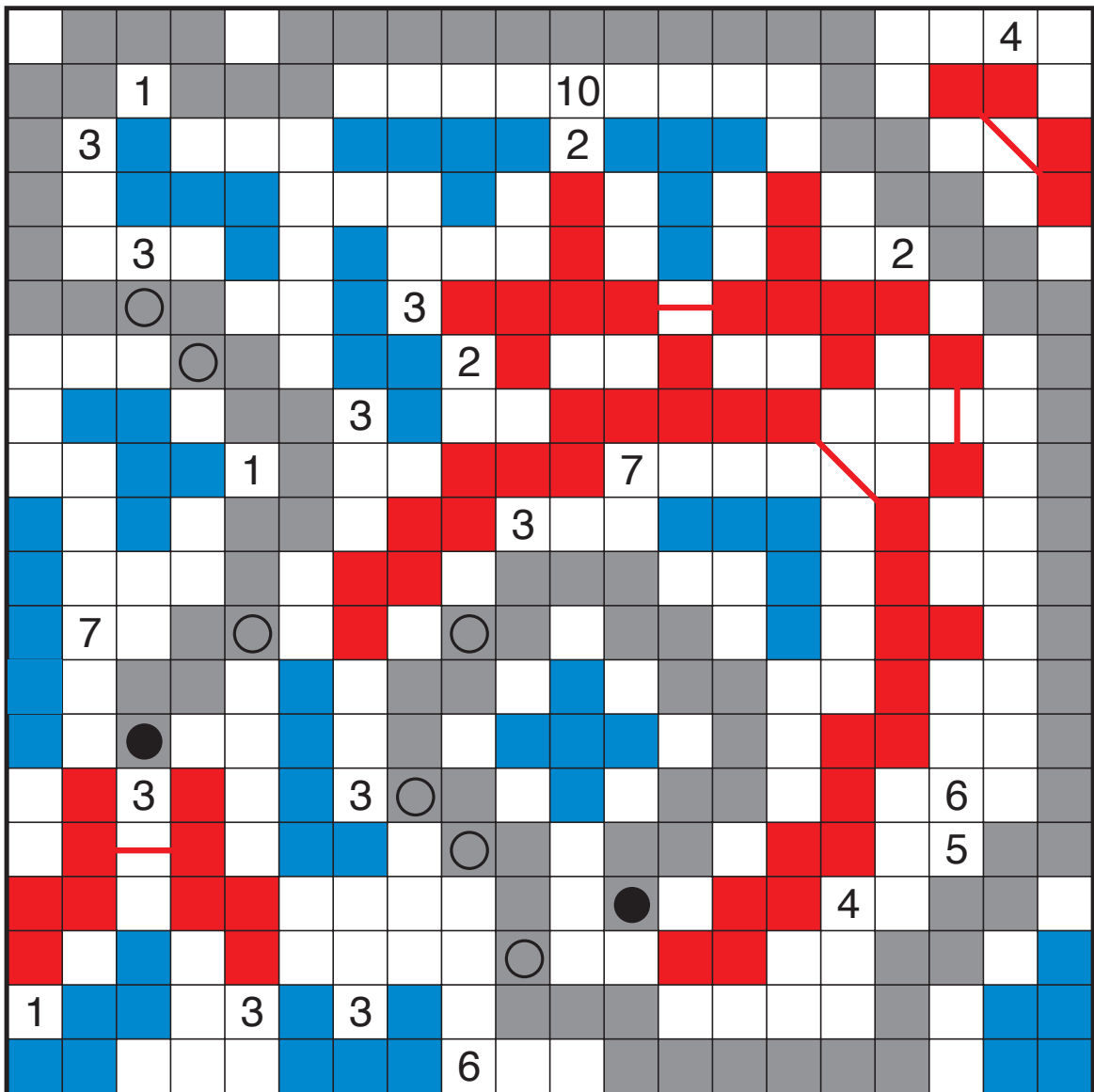
GM: 3:45; M: 5:15; E: 10:30

	6	6	6	3	3		3	3		3	4
6	2		4			3		4	3		4
6			2	4	4	4	2	4		3	4
6	5									3	
5										2	4
5	5		5						2		5
5		2	5	2	4	4	2		4	5	5
3	2						8	8	4		5
	4	4	5	2	4	4	8		8	5	
3			5		2		2	8	8		5
3	4	4	5	2					8	8	5
	2		2				2	5	5		5

GM: 5:45; M: 7:15; E: 14:30



GM: 3:00; M: 12:00; E: 24:00



GM: 16:00; M: 22:00; E: 44:00