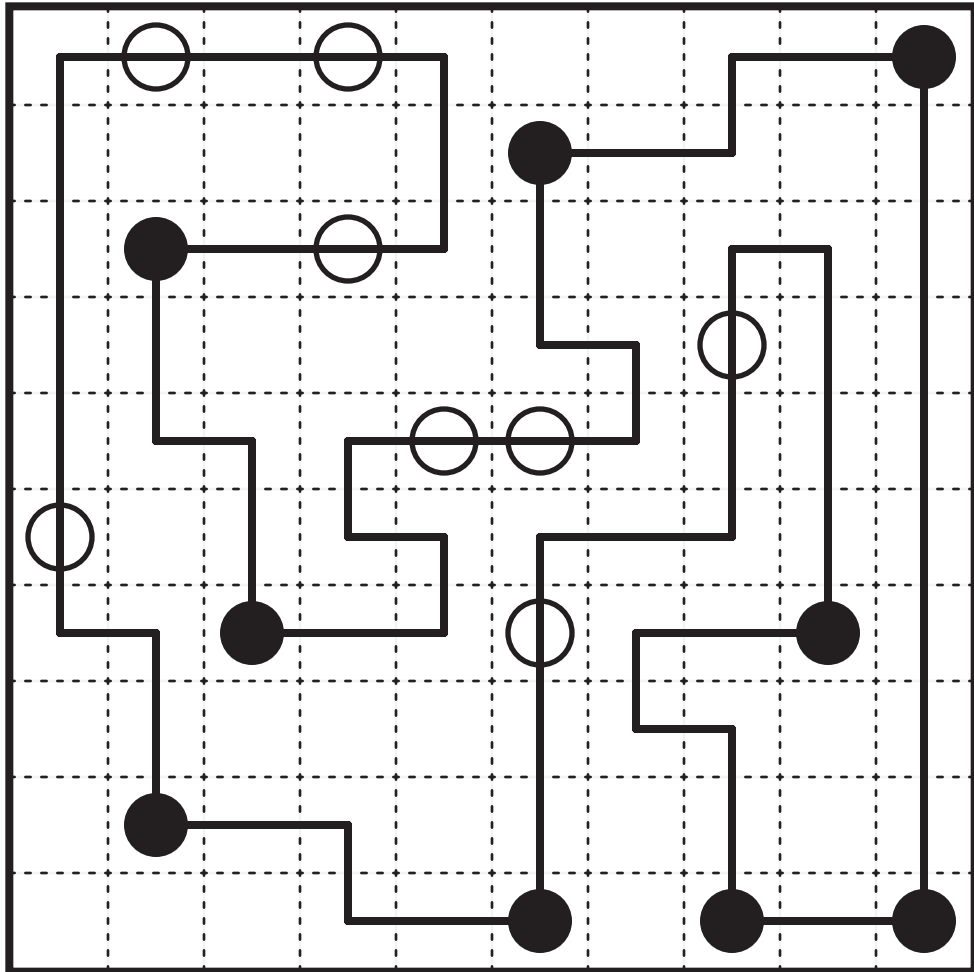


Solutions



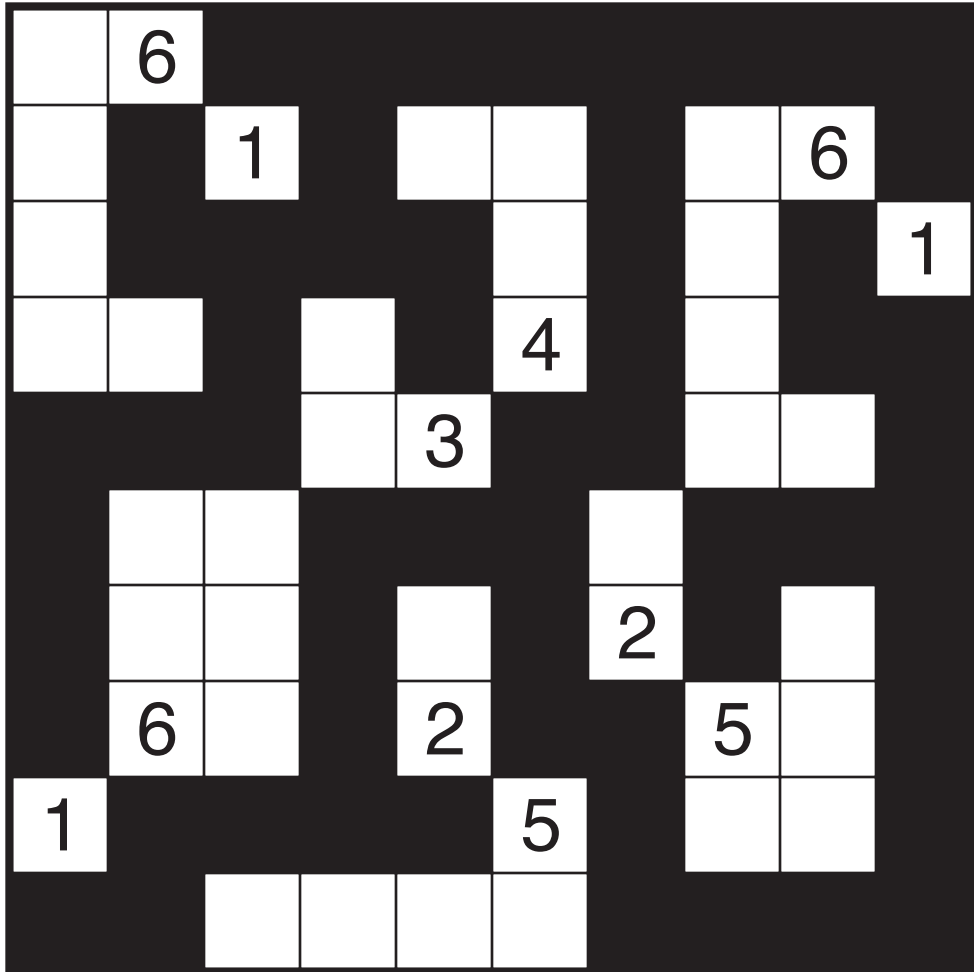
GM: 0:35; M: 0:45; E: 1:30

1	3	3	4	4	1	7	7	1	2	2
2	3	1	3	4	4	7	7	7	1	3
2	1	3	3	9	9	7	7	1	3	3
3	3	8	8	9	1	9	9	9	2	2
3	8	8	9	9	9	1	9	3	3	3
1	3	8	9	9	2	9	9	6	6	6
3	3	8	6	9	2	9	6	6	2	2
4	4	8	6	5	9	9	6	3	3	3
4	4	8	6	5	6	6	1	6	2	2
2	2	4	6	5	5	6	6	6	1	3
4	4	4	6	6	5	2	2	1	3	3

GM: 4:45; M: 7:15; E: 14:30

^{6x} 6	⁶ 2	3	1	5	4
1	^{6x} 3	⁶ 2	4	6	5
2	1	4	5	3	6
5	^{6x} 6	1	⁶ 3	4	2
4	5	6	2	1	⁶ 3
3	4	5	6	2	1

GM: 1:30; M: 2:30; E: 5:00



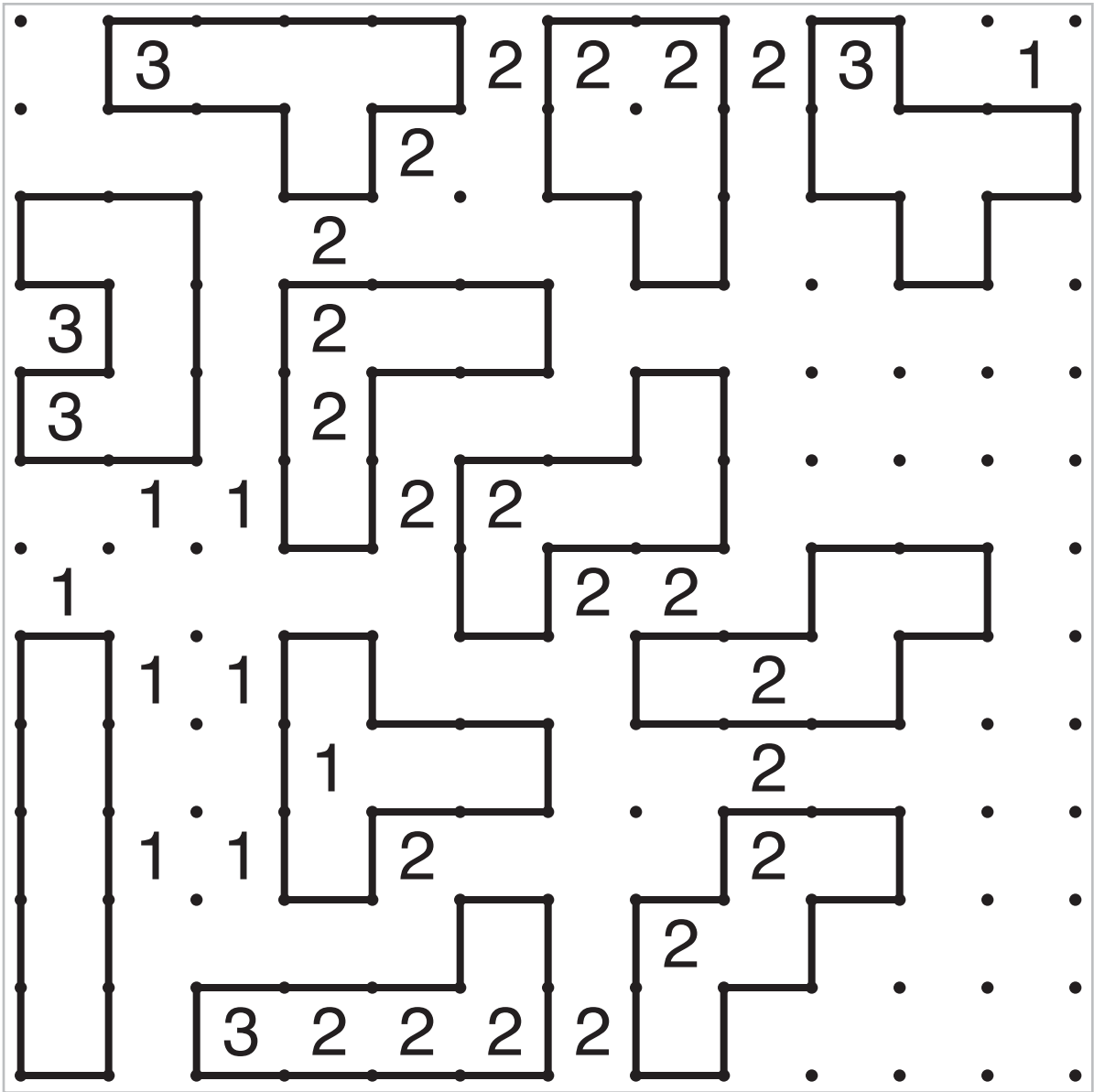
GM: 2:00; M: 3:15; E: 6:30

L	L	L	L	Y	V	V	V	P	P
L	F	W	Y	Y	Y	Y	V	P	P
F	F	W	W	T	T	T	V	X	P
I	F	F	W	W	T	N	X	X	X
I	U	U	F	F	T	N	N	X	I
I	U	F	F	Z	Z	P	N	Y	I
I	U	U	F	Z	P	P	N	Y	I
I	P	L	Z	Z	P	P	Y	Y	I
P	P	L	L	L	L	N	N	Y	I
P	P	I	I	I	I	I	N	N	N

GM: 2:30; M: 3:15; E: 6:30

			4						
		2			3	2			
	4				2	2			
			3	2				0	
			3	2			2		
						0			

GM: 4:45; M: 9:30; E: 19:00



GM: 8:00; M: 10:30; E: 21:00