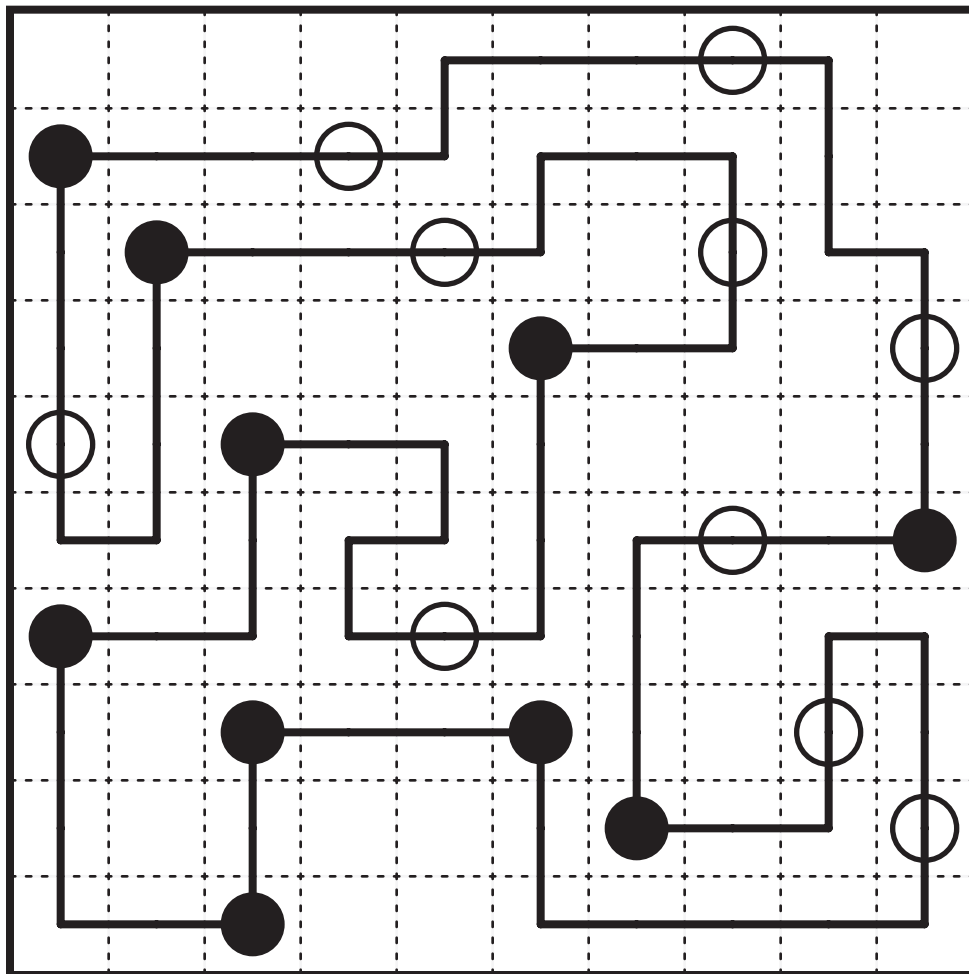


# Solutions



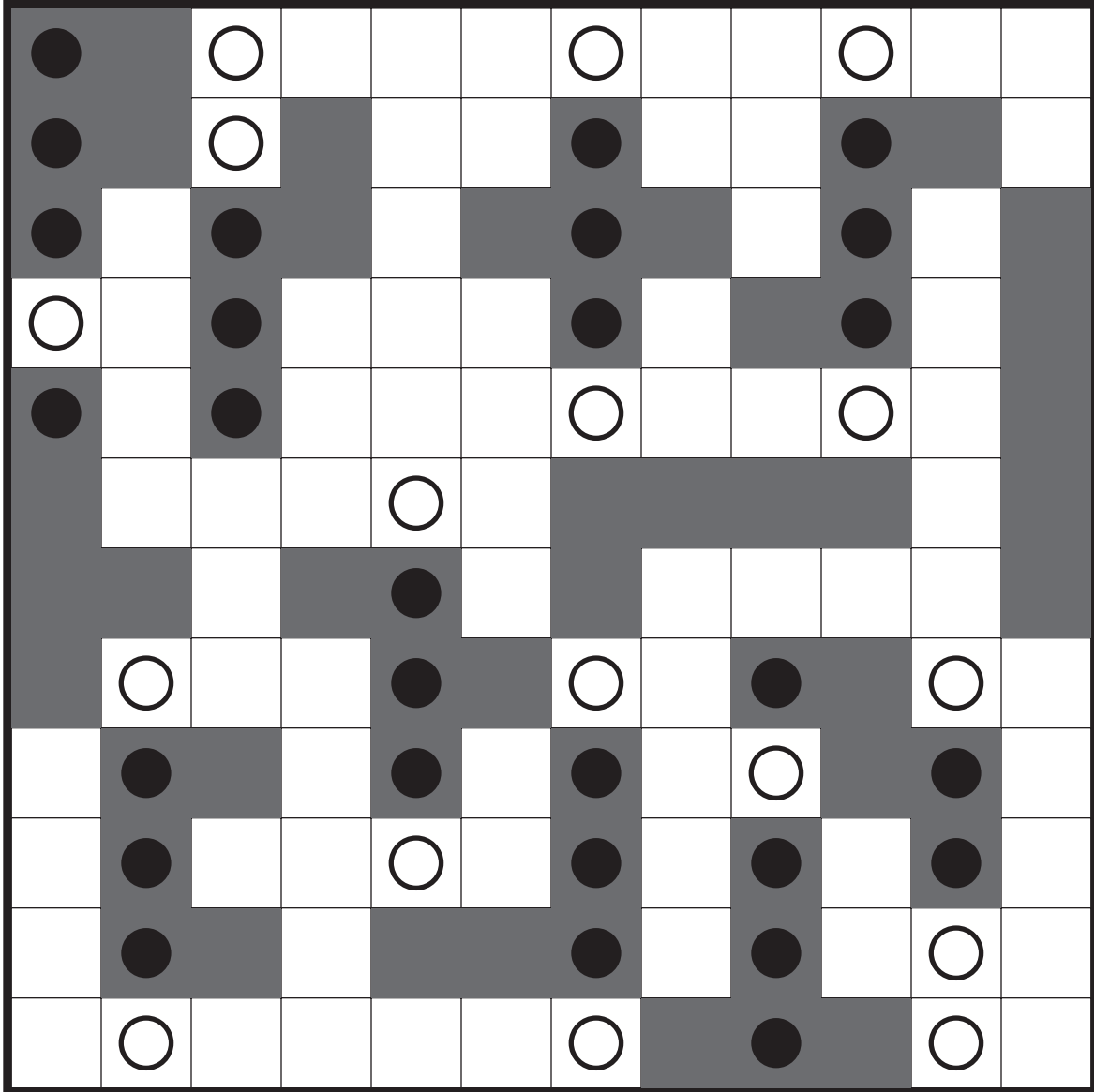
GM: 0:40; M: 1:00; E: 2:00

3					2			2
			3					
3								2
			3					
					2			2
3			3					
					3			
2								3
					2			
2			3					2

GM: 1:30; M: 2:45; E: 5:30

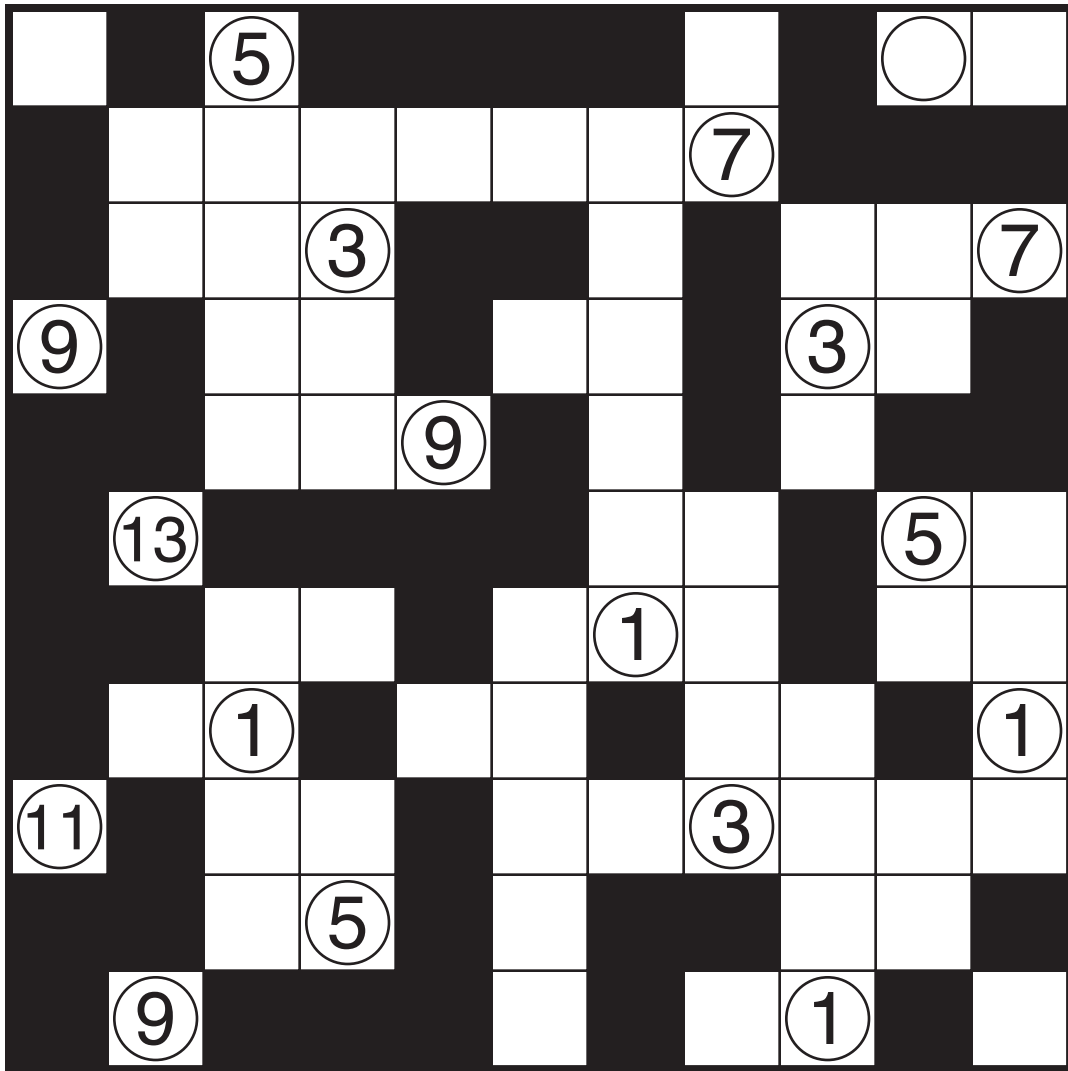
8	7	1	5	3	6	2	9	4
3	4	9	7	8	2	1	6	5
2	5	6	4	9	1	8	7	3
5	3	7	6	4	8	9	2	1
6	9	4	1	2	5	3	8	7
1	2	8	9	7	3	4	5	6
7	1	2	3	6	9	5	4	8
4	8	3	2	5	7	6	1	9
9	6	5	8	1	4	7	3	2

GM: 3:15; M: 5:00; E: 10:00



GM: 3:45; M: 7:00; E: 14:00





GM: 8:00; M: 13:00; E: 26:00