

Solutions

3	5	9	6	8	2	7	1	4
7	2	6	9	1	4	5	3	8
4	1	8	3	5	7	6	2	9
6	3	1	2	4	9	8	7	5
8	4	2	1	7	5	3	9	6
9	7	5	8	6	3	1	4	2
5	6	3	4	9	1	2	8	7
2	9	7	5	3	8	4	6	1
1	8	4	7	2	6	9	5	3

GM: 1:30; M: 2:00; E: 4:00

$\frac{2}{5}$	4	8	$\frac{1}{6}$	7	$\frac{3}{9}$
$\frac{6}{9}$	$\frac{1}{3}$	7	2	$\frac{4}{8}$	5
1	8	$\frac{4}{5}$	$\frac{7}{9}$	$\frac{2}{3}$	6
7	$\frac{2}{9}$	$\frac{3}{6}$	$\frac{5}{8}$	1	4
3	$\frac{5}{7}$	2	4	$\frac{6}{9}$	$\frac{1}{8}$
$\frac{4}{8}$	6	$\frac{1}{9}$	3	5	$\frac{2}{7}$

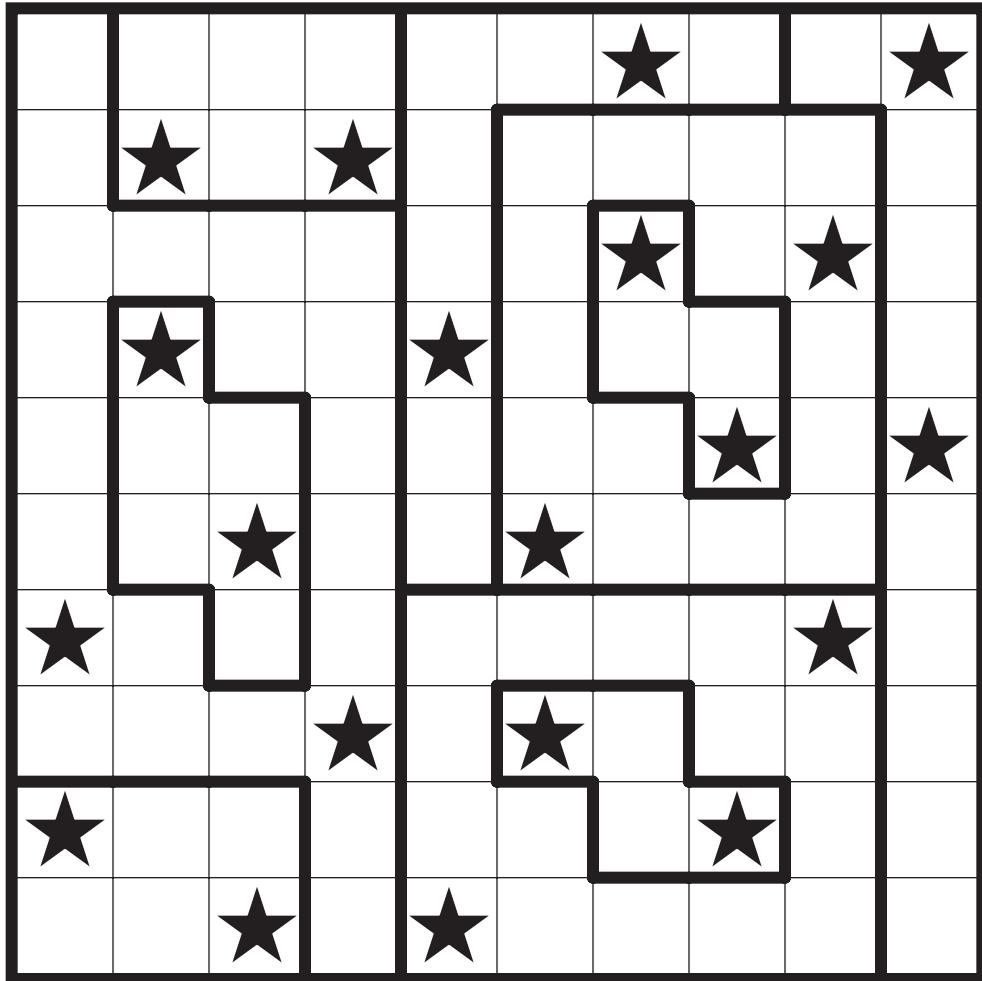
GM: 1:20; M: 1:50; E: 3:40

⁵ 1	³⁵ 4	3	2	²⁵ 5
4	3	2	5	1
¹⁵ 3	5	4	1	⁵ 2
5	2	1	4	3
2	1	5	3	4

GM: 0:30; M: 1:00; E: 2:00

		3		2			
		3	1	4	2	5	1
2		4	5	2	1	3	
3		2	3	5	4	1	3
		5	4	1	3	2	4
4		1	2	3	5	4	
				2		2	

GM: 0:40; M: 1:00; E: 2:00



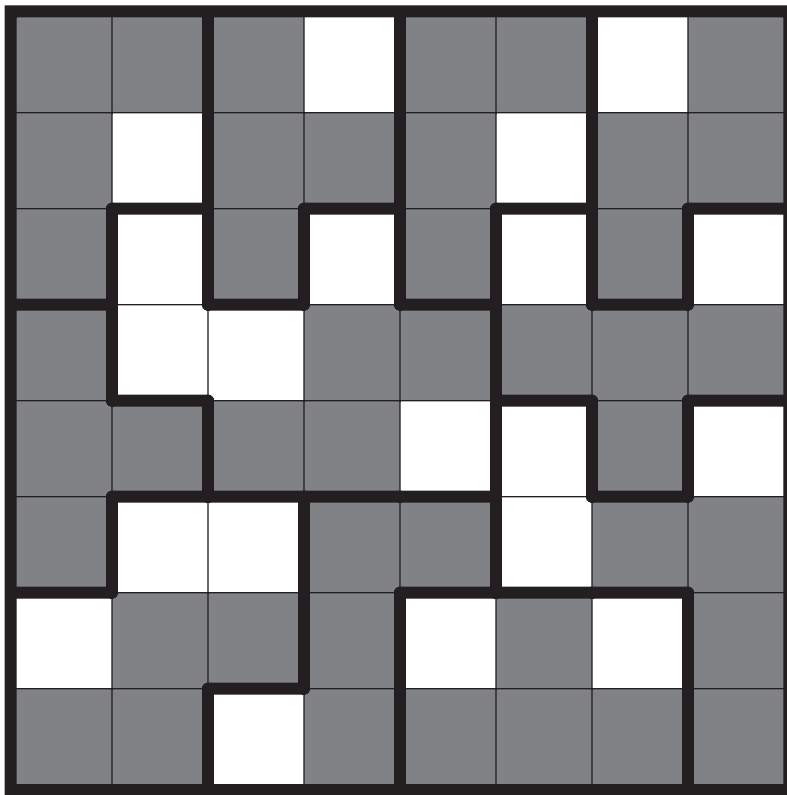
GM: 1:20; M: 1:50; E: 3:40

								1
								2
								2
								5
								4
2	5			1	6			

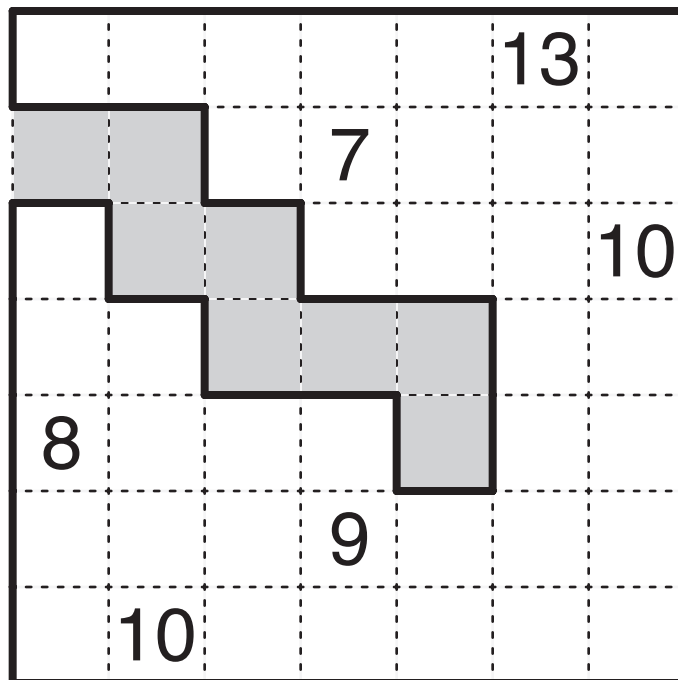
GM: 0:45; M: 1:20; E: 2:40

	1_2	2	2	1	1	1	1_2	
1_2								3
1				3_3				1
1_2								1
	1_2	2	2	1_1	1	1_1	2	

GM: 0:30; M: 1:00; E: 2:00



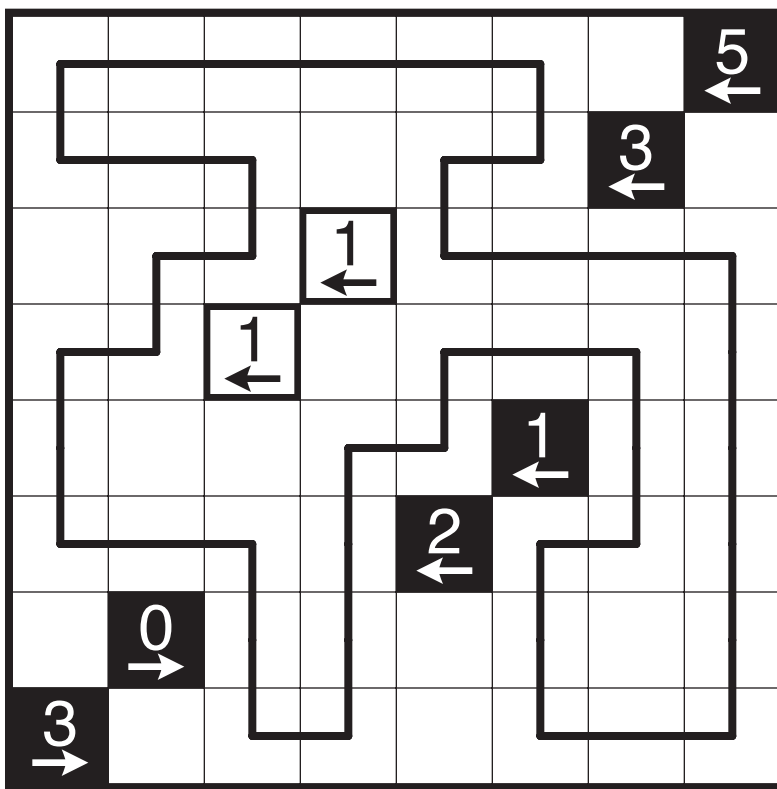
GM: 0:50; M: 1:30; E: 3:00



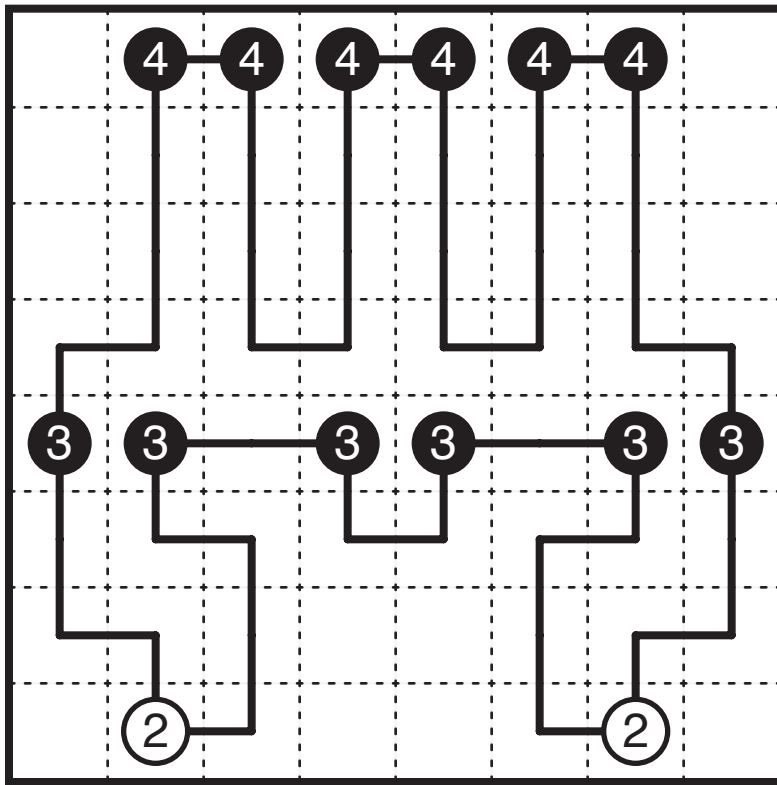
GM: 0:50; M: 1:20; E: 2:40

L	L	L	L			P	P
L	I	I	I	I	I	P	P
N	F	F	T	T	T	X	P
N	N	F	F	T	X	X	X
L	N	F	W	T	F	X	Y
L	N	W	W	F	F	Y	Y
L	W	W	N	N	F	F	Y
L	L			N	N	N	Y

GM: 0:55; M: 1:15; E: 2:30



GM: 0:50; M: 1:30; E: 3:00



GM: 0:45; M: 1:05; E: 2:10