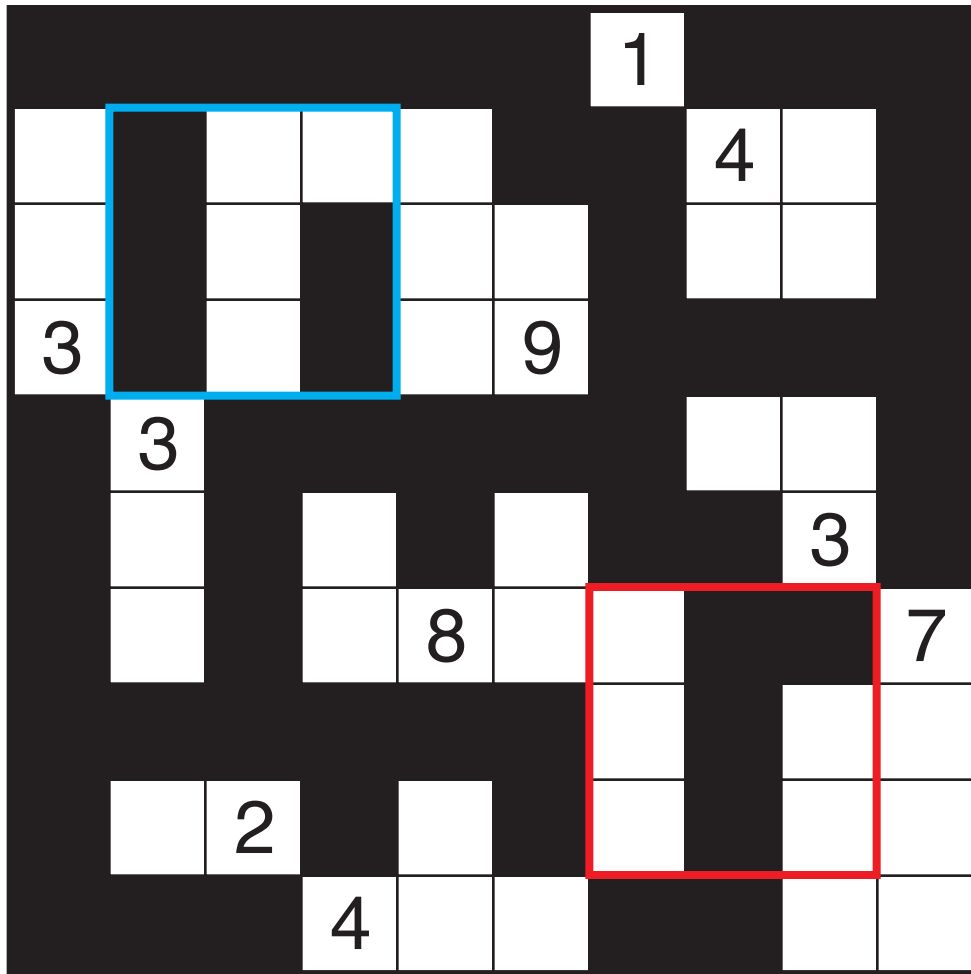
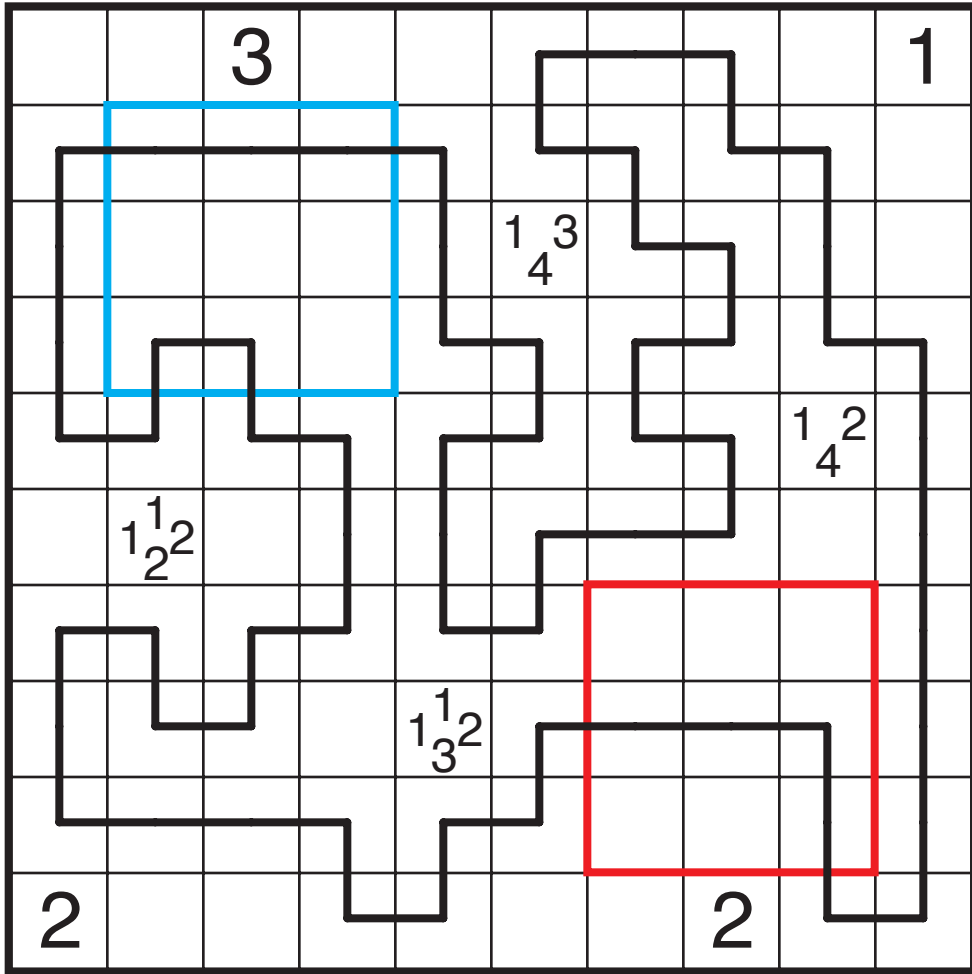


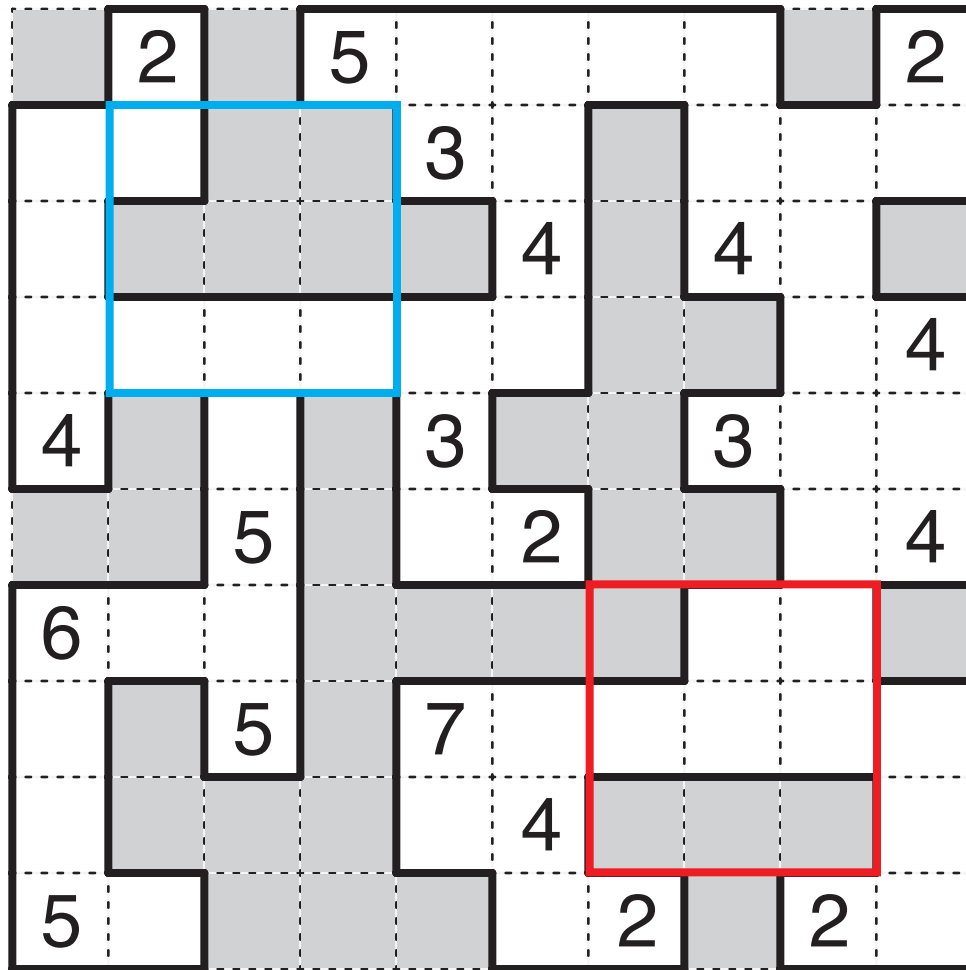
Solutions



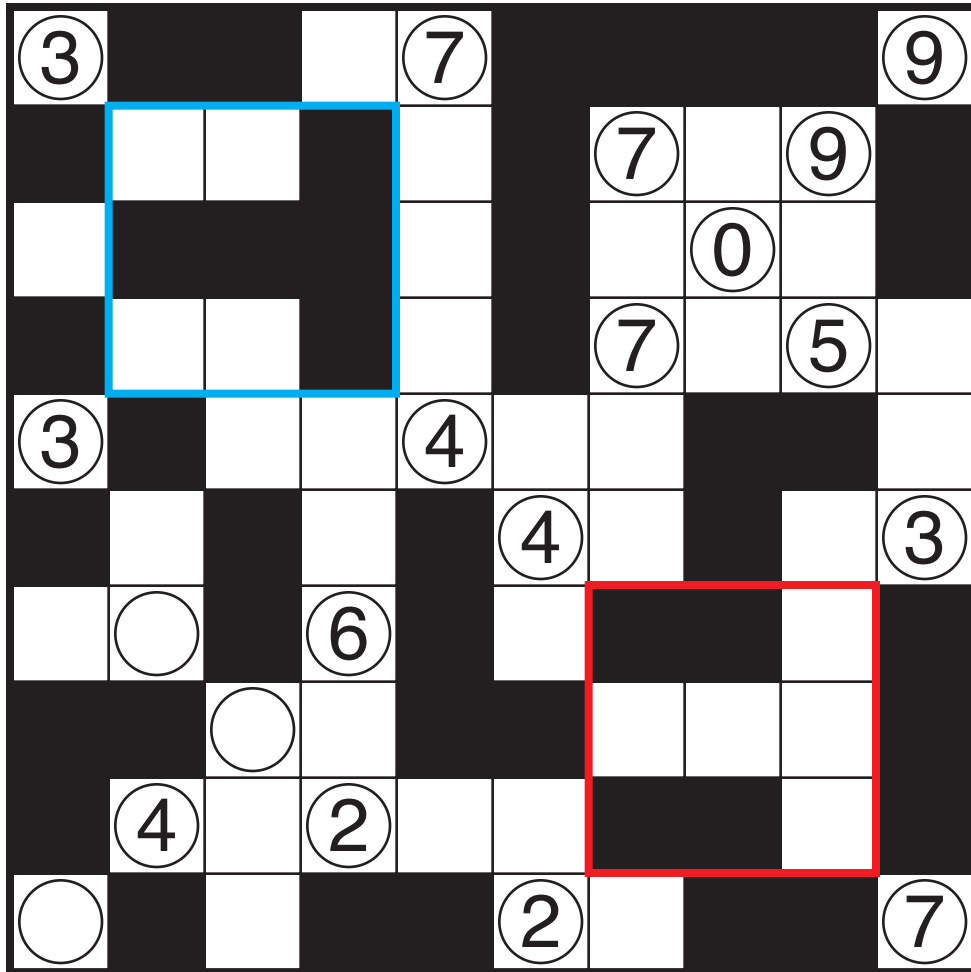
GM: 1:40; M: 2:45; E: 5:30



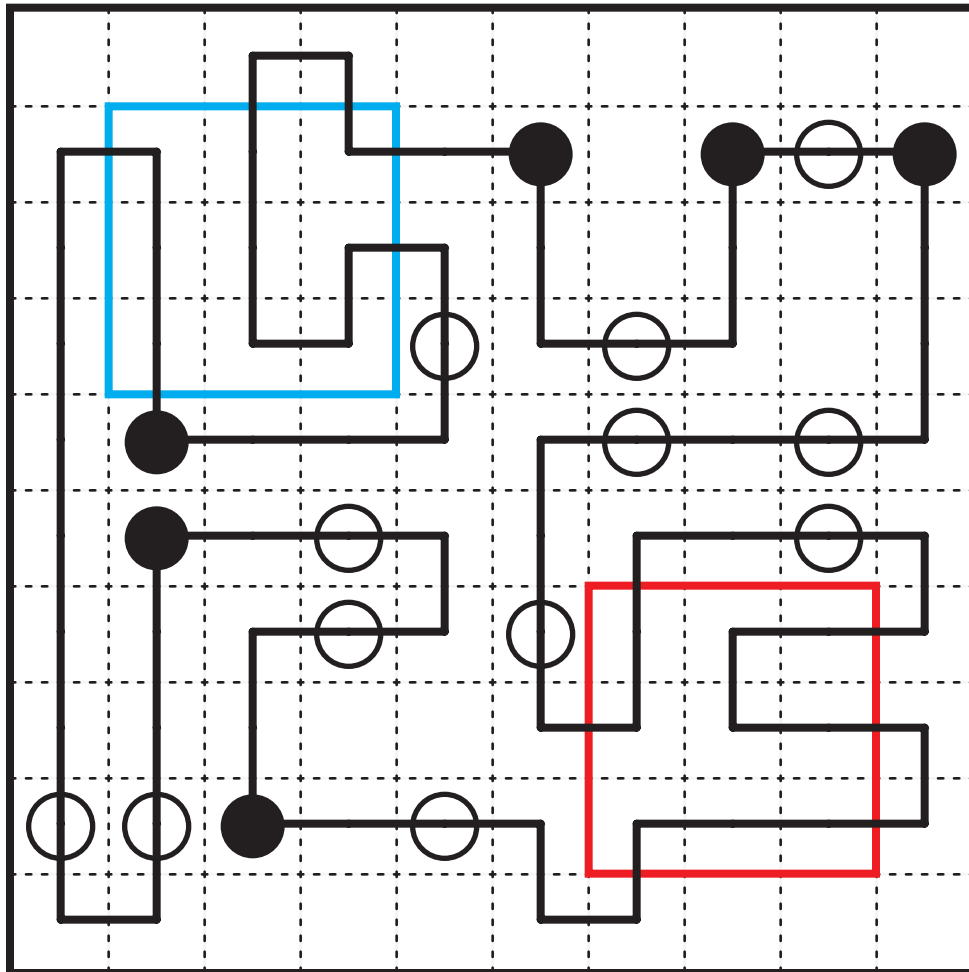
GM: 1:45; M: 2:30; E: 5:00



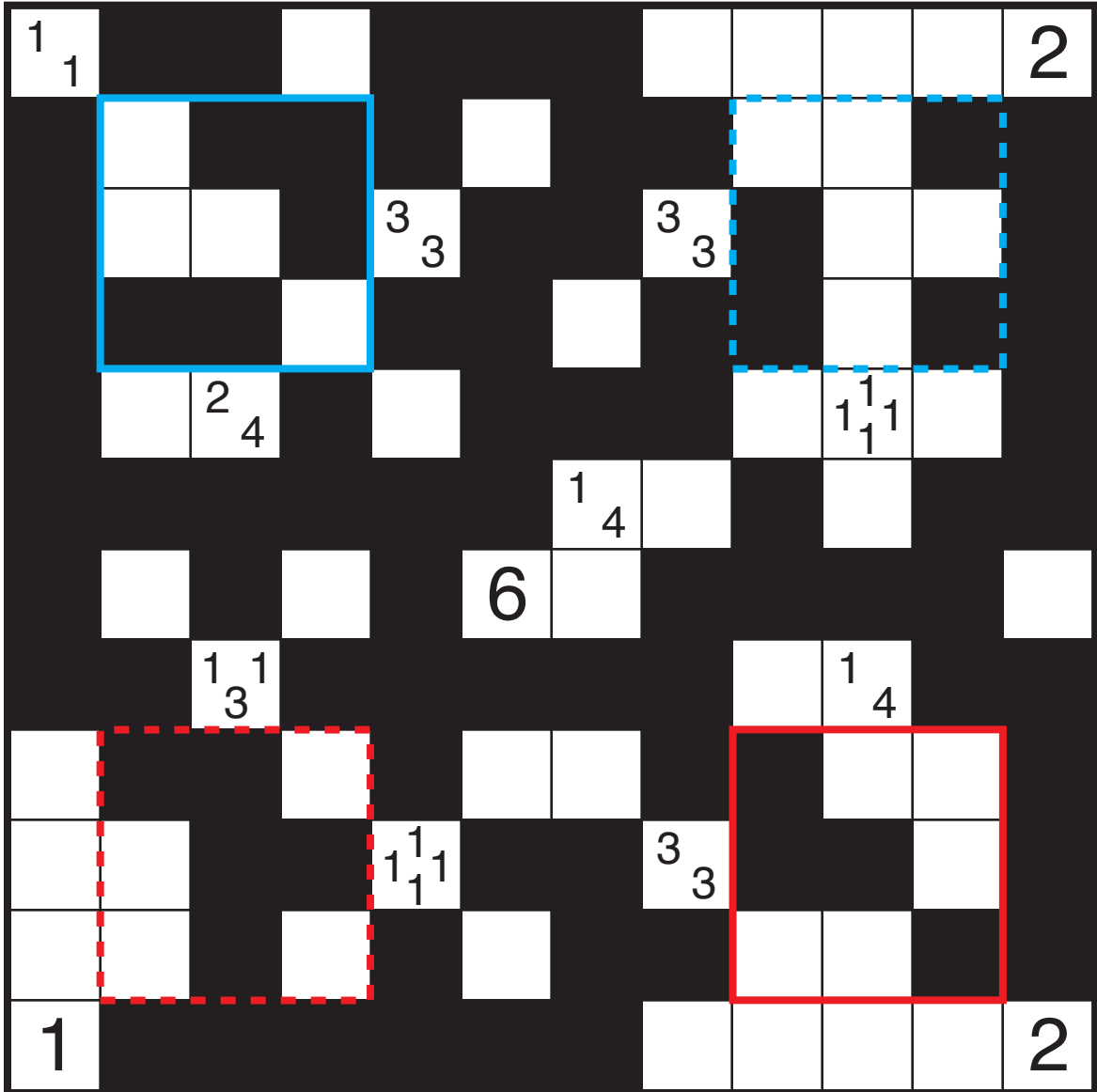
GM: 2:00; M: 2:45; E: 5:30



GM: 3:30; M: 4:30; E: 9:00



GM: 3:30; M: 5:15; E: 10:30



GM: 3:00; M: 5:30; E: 11:00