

15/08/31:

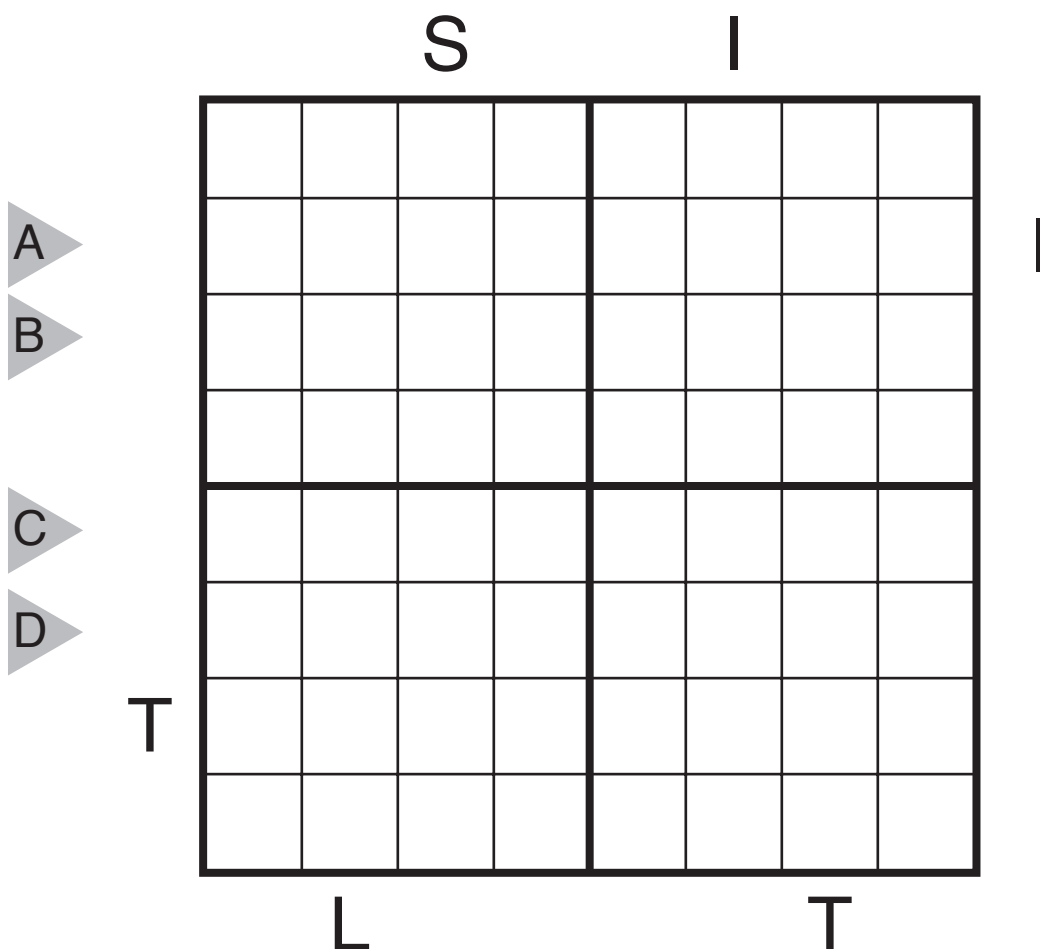
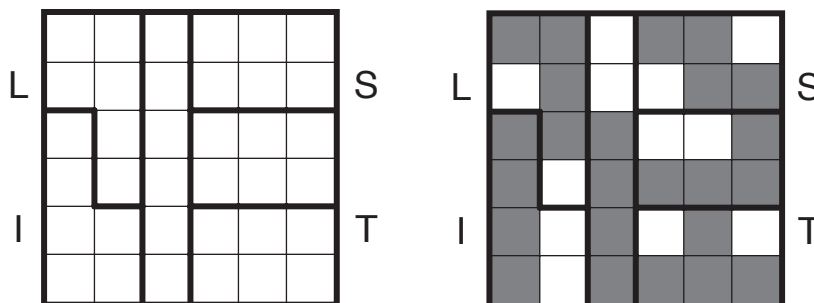
Easy as LITS by Prasanna Seshadri

Theme: Four Squares

(Originally on 2015 Indian Puzzle Championship)

Rules: Standard LITS Rules. Also, the letters outside the grid indicate the first tetromino encountered in the corresponding direction.
(Example by Chris Green.)

Answer Entry: Same as regular LITS.



15/09/01:

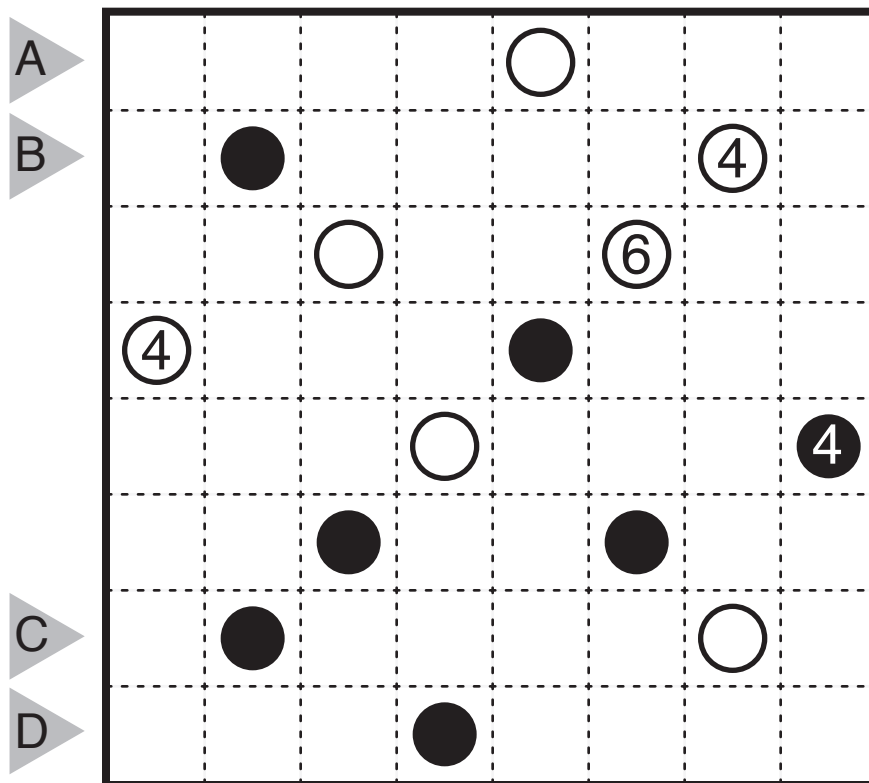
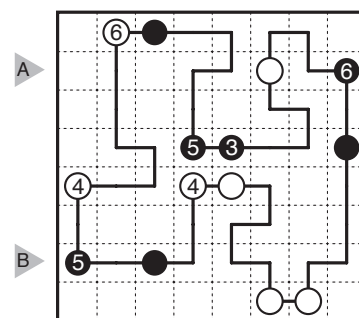
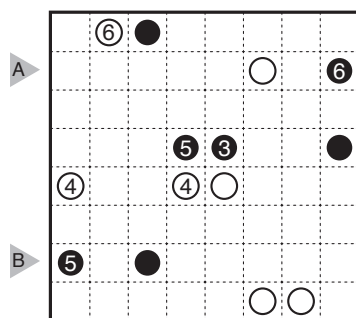
Balance Loop by Prasanna Seshadri

Theme: Clue Symmetry and Logic

(Originally on 2015 Indian Puzzle Championship)

Rules: Draw a single, non-intersecting loop that passes through all circled cells. All white circles must have equal segment lengths on both sides of the circle before turning. All black circles must have unequal segment lengths on both sides of the circle before turning. Numbers indicate the sum of the segment lengths on both sides of the circle.

Answer Entry: Enter the length in cells of the horizontal loop segments from left to right in the marked rows, starting at the top. Separate each row's entry with a comma. This example has the key "11,311".



15/09/03:

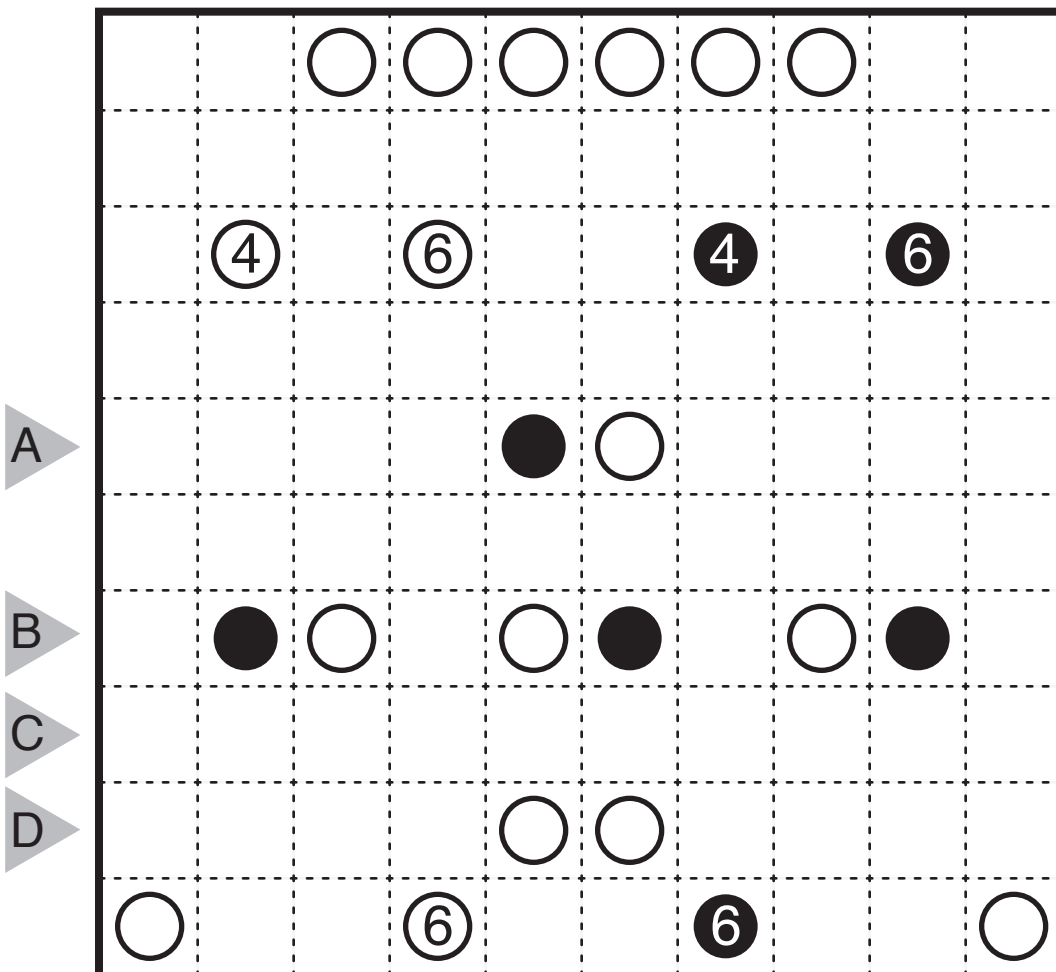
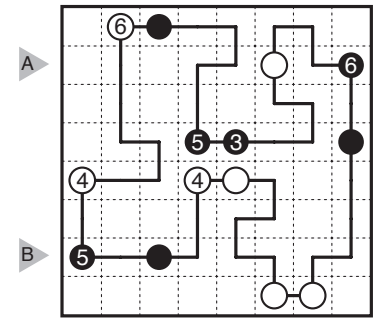
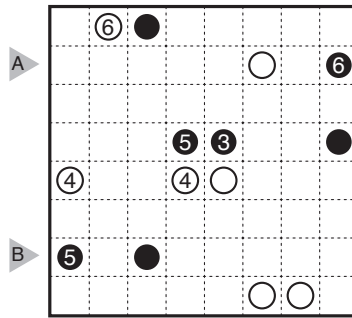
Balance Loop by Prasanna Seshadri

Theme: Clue Symmetry and Logic

(Originally on 2015 Indian Puzzle Championship)

Rules: Draw a single, non-intersecting loop that passes through all circled cells. All white circles must have equal segment lengths on both sides of the circle before turning. All black circles must have unequal segment lengths on both sides of the circle before turning. Numbers indicate the sum of the segment lengths on both sides of the circle.

Answer Entry: Enter the length in cells of the horizontal loop segments from left to right in the marked rows, starting at the top. Separate each row's entry with a comma. This example has the key "11,311".



15/09/04:

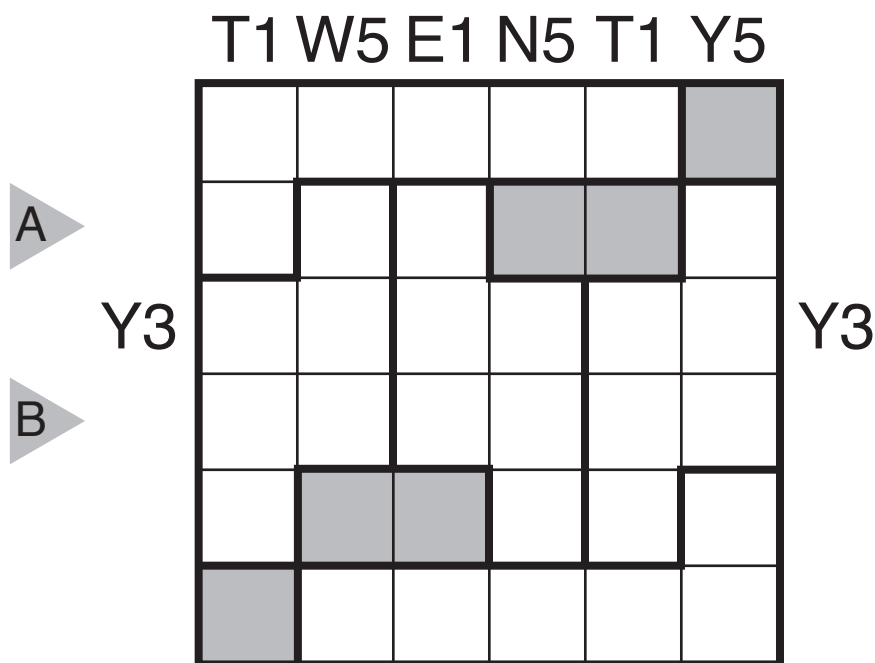
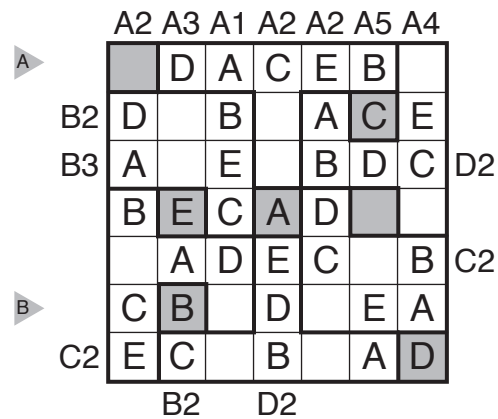
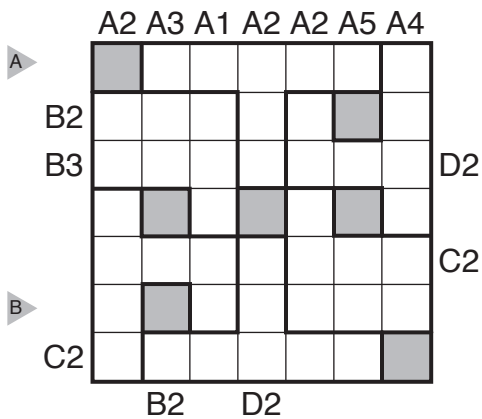
Easy as ABC Numbers by Prasanna Seshadri

Theme: TWENTY-15

(Originally on 2015 Indian Puzzle Championship)

Rules: Fill some empty cells with the letters E, N, T, W, Y (A, B, C, D, E in the example) so that each row and column contains each letter exactly once. Also, each bold outlined region as well as the set of gray cells contains each letter exactly once. Some cells will remain blank. The clues outside the grid, which contain a letter 'X' and number 'N', indicate that X is the Nth letter seen in that row or column.

Answer Entry: Enter the letters in the marked rows in order from left to right, separating the rows with a comma. Use an X for empty cells, and USE CAPITAL LETTERS. This example has the key "XDACEBX,CBXDXEA".



15/09/05:

Tapa (Fill-In) by Prasanna Seshadri

Theme: IPC Message

(Originally on 2015 Indian Puzzle Championship)

Rules: Standard Tapa rules. Also, all of the empty cells will be filled by letters/numbers so that each word/number next to the puzzle appears once reading across or down in the grid and no other words are formed in the grid by adjacent letters. Words can cross, but they do not all need to be connected. Some letters (in red) are already given in the grid and will be part of one or more words in the grid.

Answer Entry: Same as regular Tapa.

	¹ ₃				B
	3				

IB
1234
3223
4444

¹ ₃			I	B
	1			
3	2	2	3	
3	3			
4	4	4	4	

A											
							¹ ₃	5			
B	7					H					
		¹ ₁					O				
	¹ ₃	3	1								
C						I	5		¹ ₁		
D											
			D					4			
					T				S		
	T	5									

THE
INDIAN
PUZZLE
CHAMPIONSHIP
IS
SET
ON
NINTH
AUGUST
2015
AT
LOGIC
MASTERS
INDIA