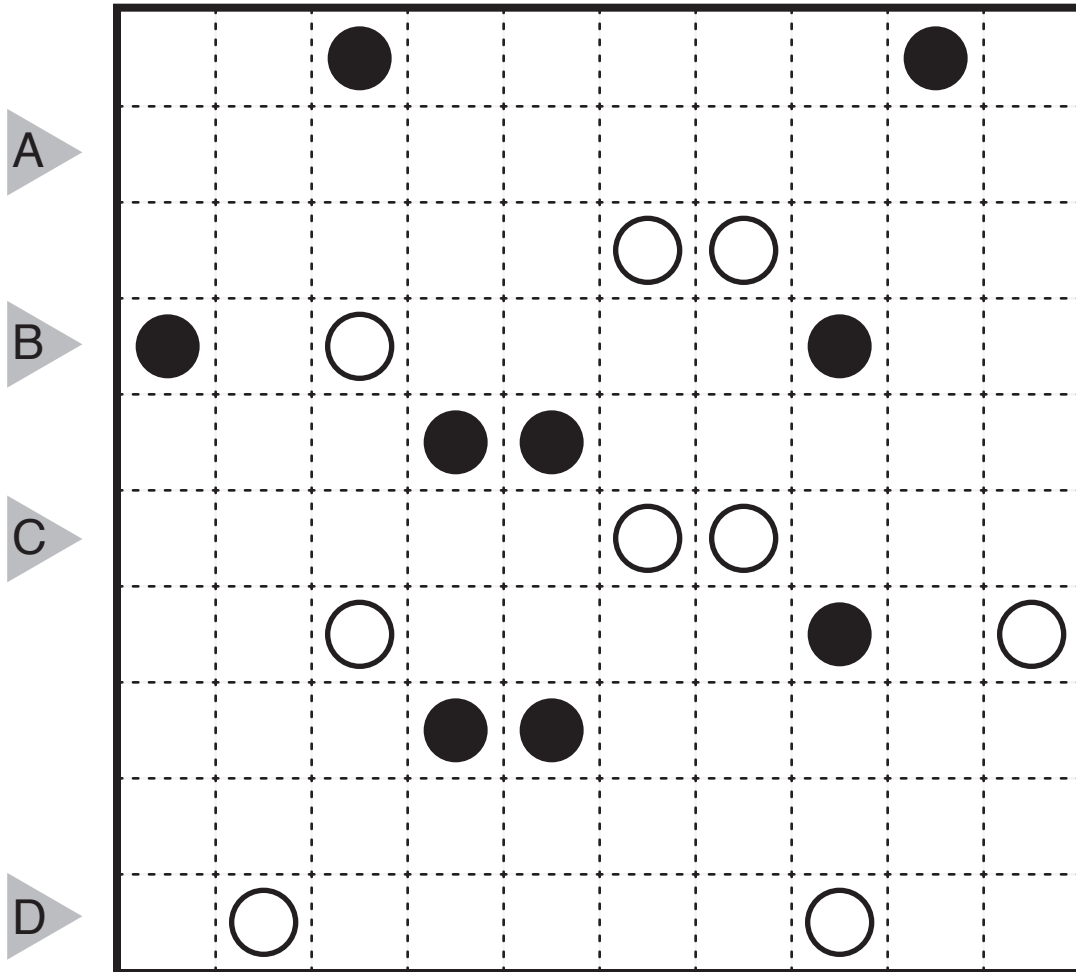


15/02/16:  
Masyu by Tom Collyer  
Theme: Antisymmetry



15/02/17:  
Nanro by Grant Fikes  
Theme: Antisymmetry

|   |   |   |   |   |   |   |  |   |   |
|---|---|---|---|---|---|---|--|---|---|
|   | 4 |   |   |   | 4 | 1 |  | 2 |   |
| A |   |   | 2 |   |   |   |  |   |   |
|   | 3 |   |   |   |   |   |  |   |   |
| B |   |   | 1 |   |   |   |  |   |   |
|   |   |   |   |   |   | 3 |  |   | 4 |
| C | 1 |   | 2 |   |   |   |  |   |   |
|   |   |   |   |   |   | 4 |  |   |   |
| D |   |   |   |   |   |   |  |   | 2 |
|   |   |   |   |   |   | 3 |  |   |   |
|   |   | 3 |   | 4 | 1 |   |  |   | 1 |

15/02/18:  
 Tapa by Tapio Saarinen  
 Theme: Antisymmetry

|   |       |       |       |       |       |       |       |       |       |  |       |       |
|---|-------|-------|-------|-------|-------|-------|-------|-------|-------|--|-------|-------|
|   | 1     |       |       |       |       |       |       |       | $1_2$ |  |       |       |
|   |       |       |       |       |       |       |       |       |       |  | $2_2$ |       |
|   | $1_2$ |       |       |       | $1_2$ | $2_2$ |       |       |       |  |       |       |
| A |       |       |       |       |       |       |       |       |       |  |       |       |
|   | $1_2$ |       |       | $1_2$ | $2_2$ |       | $1_2$ | $1_1$ |       |  | $2_2$ |       |
| B |       |       |       |       |       |       |       |       |       |  |       |       |
|   |       |       |       |       |       |       |       |       |       |  |       |       |
|   |       |       | $1_1$ |       |       | $2_2$ | $2_1$ |       | $2_1$ |  |       | $2_1$ |
| C |       |       |       |       |       |       |       |       |       |  |       |       |
|   |       |       |       |       |       |       |       | $2_1$ | $2_1$ |  |       | $2_1$ |
| D |       | $1_1$ |       |       |       |       |       |       |       |  |       |       |
|   |       |       |       | $2_1$ |       |       |       |       |       |  |       | 2     |

15/02/19:  
Cave by Thomas Snyder  
Theme: Antisymmetry

|   |   |   |   |   |   |   |   |   |
|---|---|---|---|---|---|---|---|---|
|   | 2 |   |   |   | 7 |   |   |   |
| A |   |   | 3 |   |   |   | 9 |   |
| B | 6 |   |   |   | 4 |   |   |   |
|   | 2 |   |   |   |   | 5 |   |   |
|   |   |   |   | 7 |   |   |   | 6 |
| C | 5 |   |   |   | 4 |   |   |   |
| D |   | 6 |   |   |   |   | 9 |   |
|   |   |   |   | 7 |   |   |   | 5 |
|   | 2 |   |   |   |   | 8 |   |   |
|   |   |   | 4 |   |   |   | 9 |   |

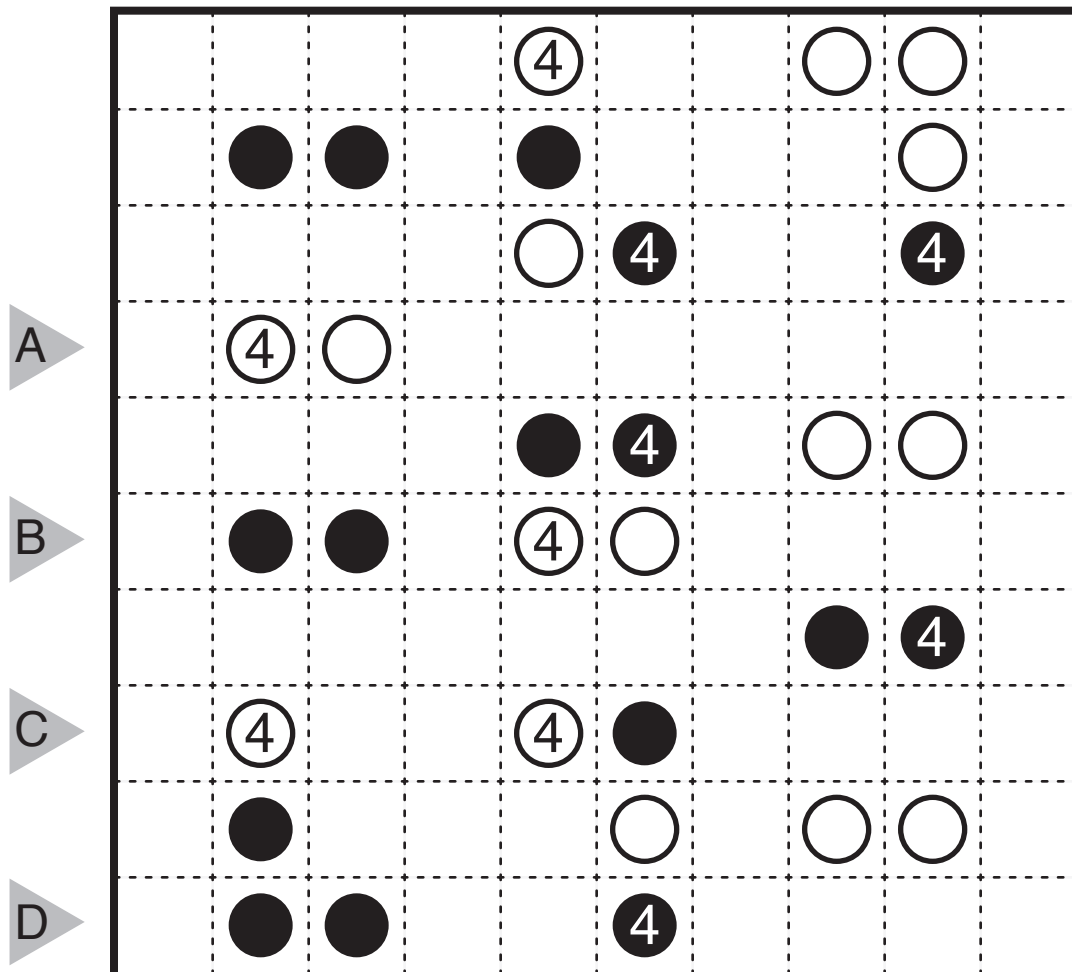
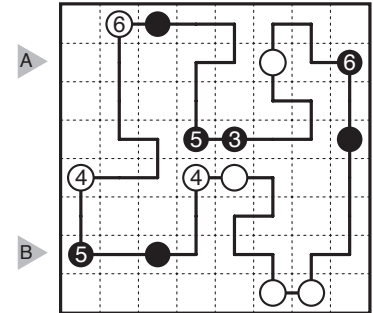
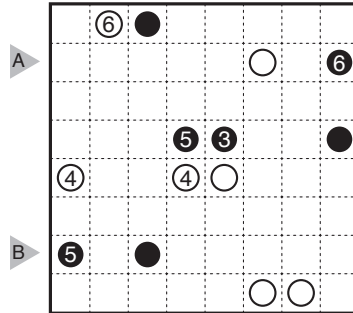
15/02/20:

# Balance Loop by Prasanna Seshadri

## Theme: Antisymmetry

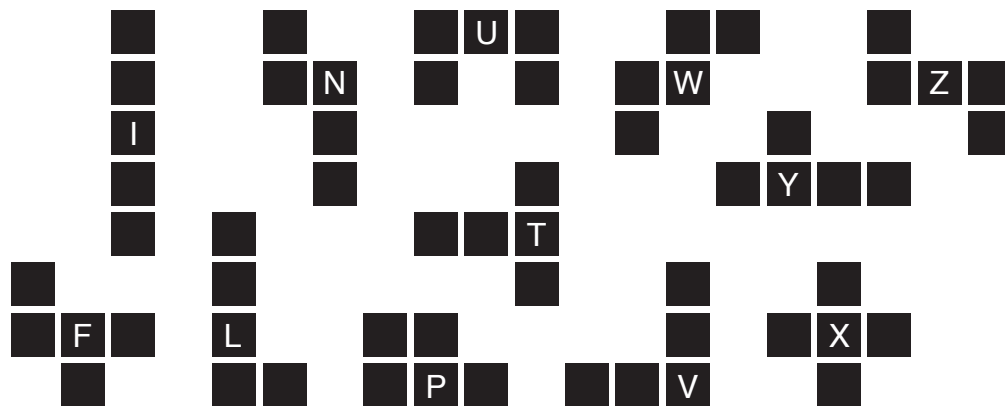
Rules: Draw a single, non-intersecting loop that passes through all circled cells. All white circles must have equal segment lengths on both sides of the circle before turning. All black circles must have unequal segment lengths on both sides of the circle before turning. Numbers indicate the sum of the segment lengths on both sides of the circle.

Answer Entry: Enter the length in cells of the horizontal loop segments from left to right in the marked rows, starting at the top. Separate each row's entry with a comma. This example has the key "11,311".



15/02/21:  
 Statue Park by Palmer Mebane  
 Theme: Antisymmetry

|   |   |  |   |   |   |   |   |   |  |   |   |
|---|---|--|---|---|---|---|---|---|--|---|---|
|   |   |  | ○ | ● |   |   |   |   |  |   | ● |
| A |   |  | ● | ○ |   |   |   |   |  |   |   |
|   | ○ |  | ● | ○ | ● |   | ● |   |  |   |   |
|   |   |  | ● | ○ |   |   | ● | ○ |  |   |   |
| B | ○ |  | ○ | ● |   |   | ● | ○ |  |   |   |
|   |   |  | ○ | ● |   |   | ○ | ● |  |   |   |
|   |   |  | ○ | ● |   |   | ○ | ● |  |   |   |
|   |   |  | ● | ○ |   |   | ○ | ● |  |   | ● |
| C |   |  | ● | ○ |   |   | ● | ○ |  |   |   |
|   |   |  |   | ○ |   | ○ | ● | ○ |  | ● |   |
| D |   |  |   |   |   |   | ● | ○ |  |   |   |
|   | ○ |  |   |   |   |   | ○ | ● |  |   |   |



(as usual, rotations and reflections are allowed)