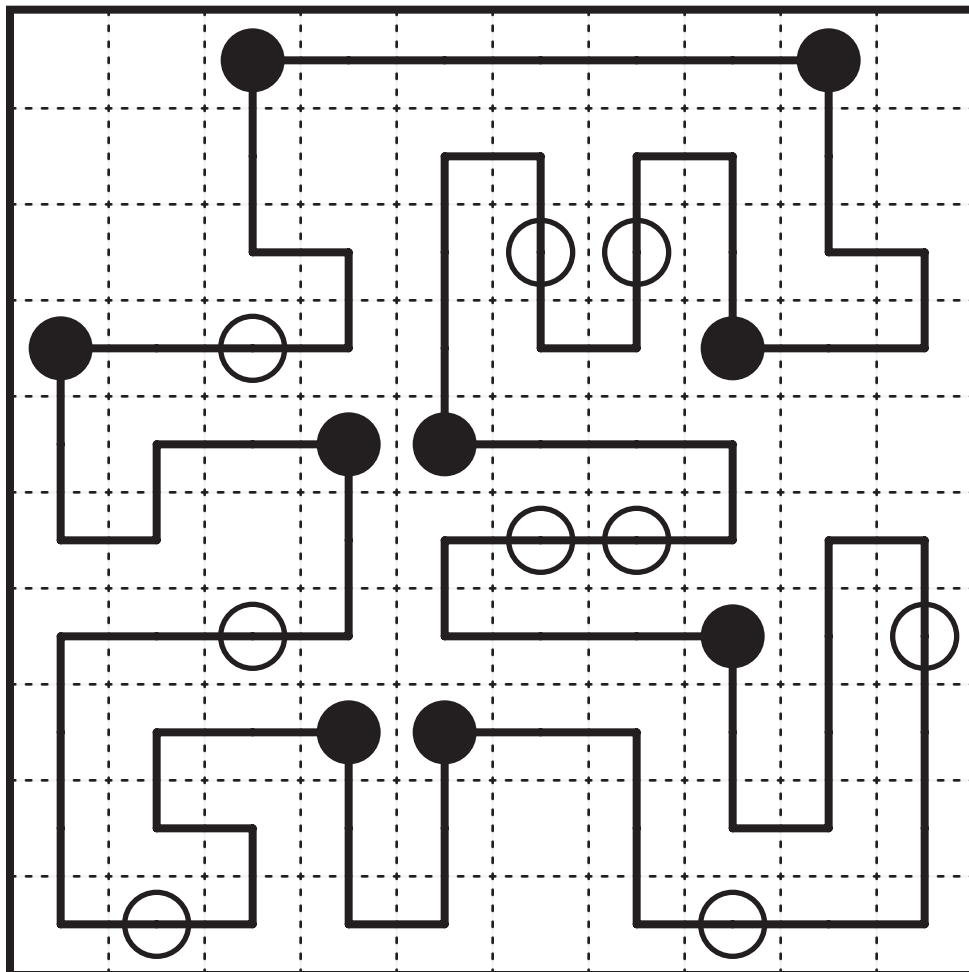


# Solutions



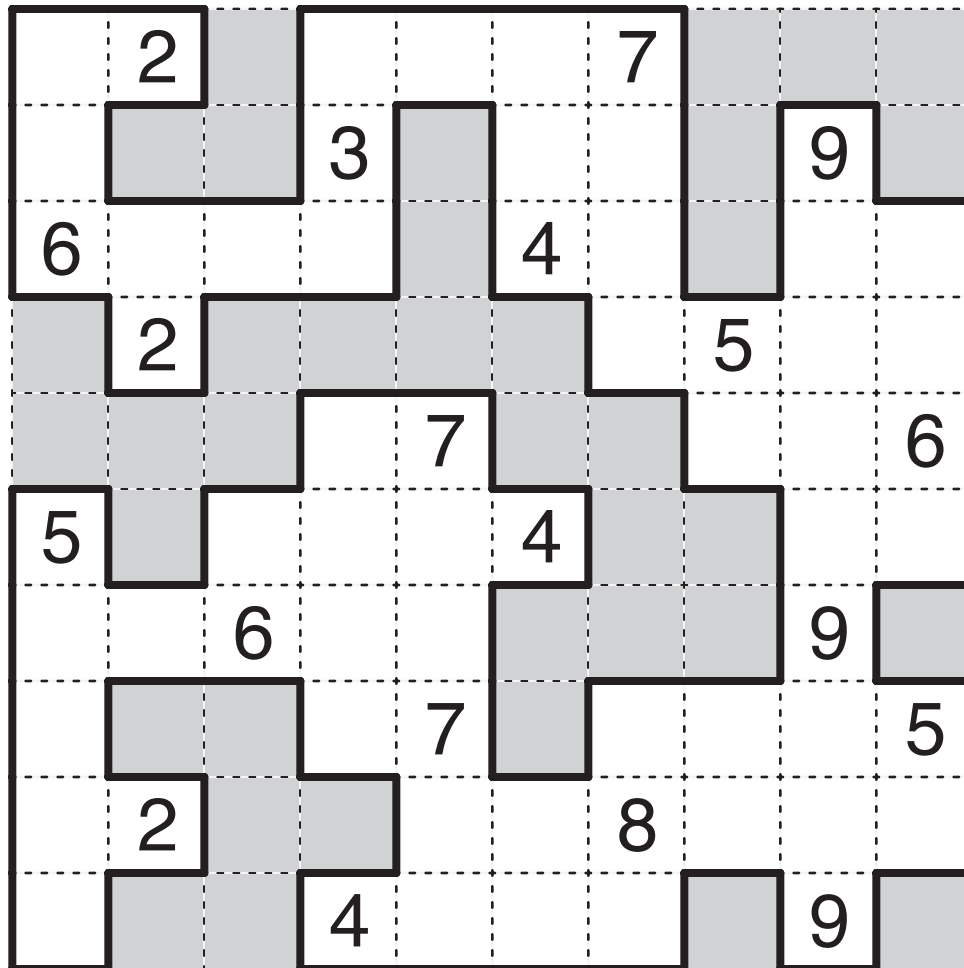
GM: 1:00; M: 1:30; E: 3:00

4	4	4	2	4	4	1	2	2	
	4		2		4			3	3
3		2			4			2	
3	3	2	1			3	3	2	3
			2			3			4
1	3	3	2	1			4	4	4
2				4	4	4	3		
2	3	4	4		4		3	3	2
			4		3	3			2
3	3	3	4	1		3			1

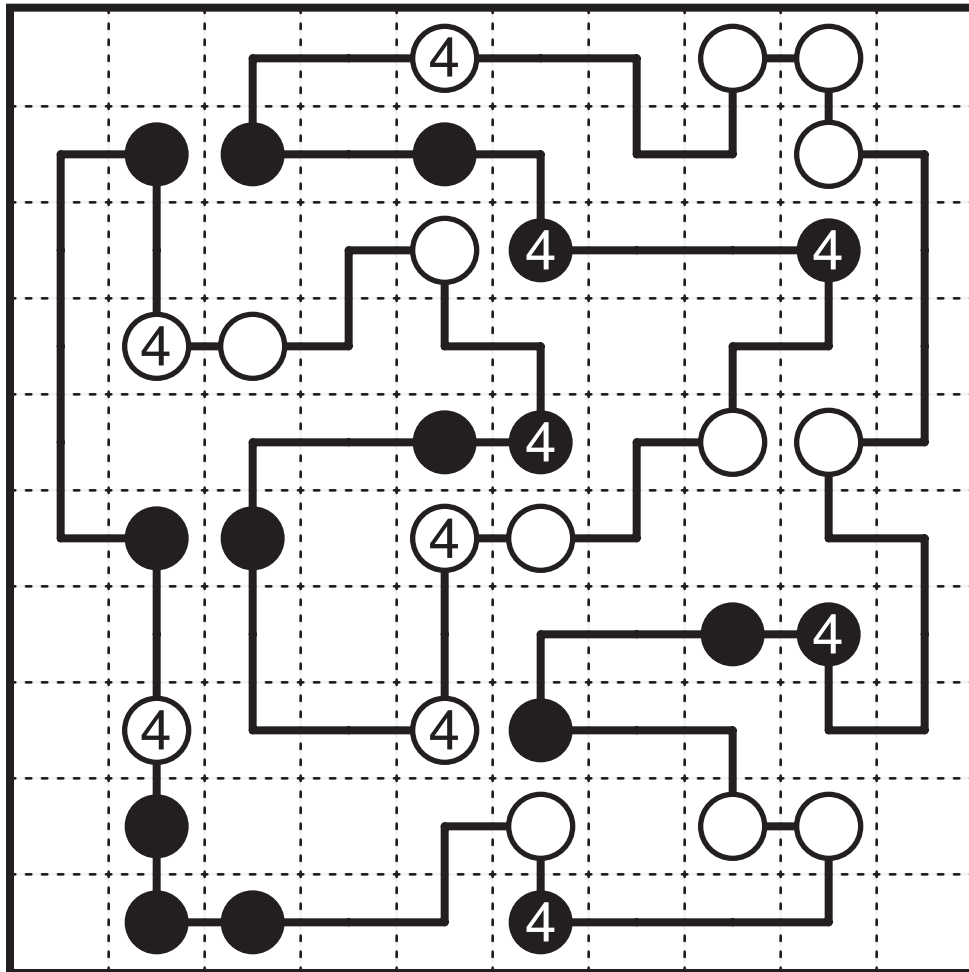
GM: 1:20; M: 1:45; E: 3:30

1								1 2			
										2 2	
1 2					1 2						
1 2			1 2		1 1 2				2 2		
		1 1			2 2 1			2 1 1			2 1
								2 1 1			2 1
	1 1										
			2 1								2

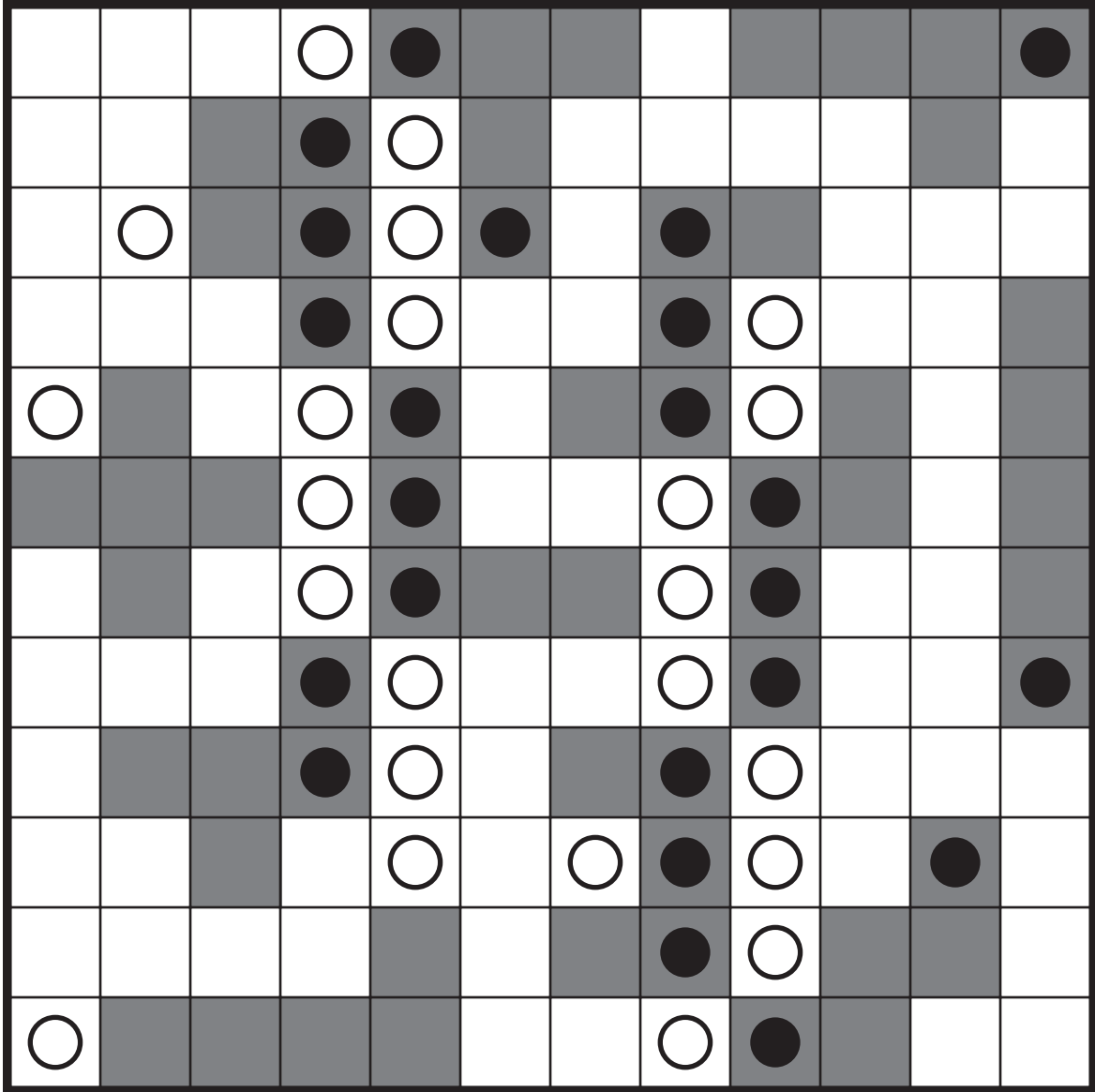
GM: 2:30; M: 3:30; E: 7:00



GM: 3:00; M: 5:45; E: 11:30



GM: 7:00; M: 12:30; E: 25:00



GM: 10:00; M: 12:30; E: 25:00