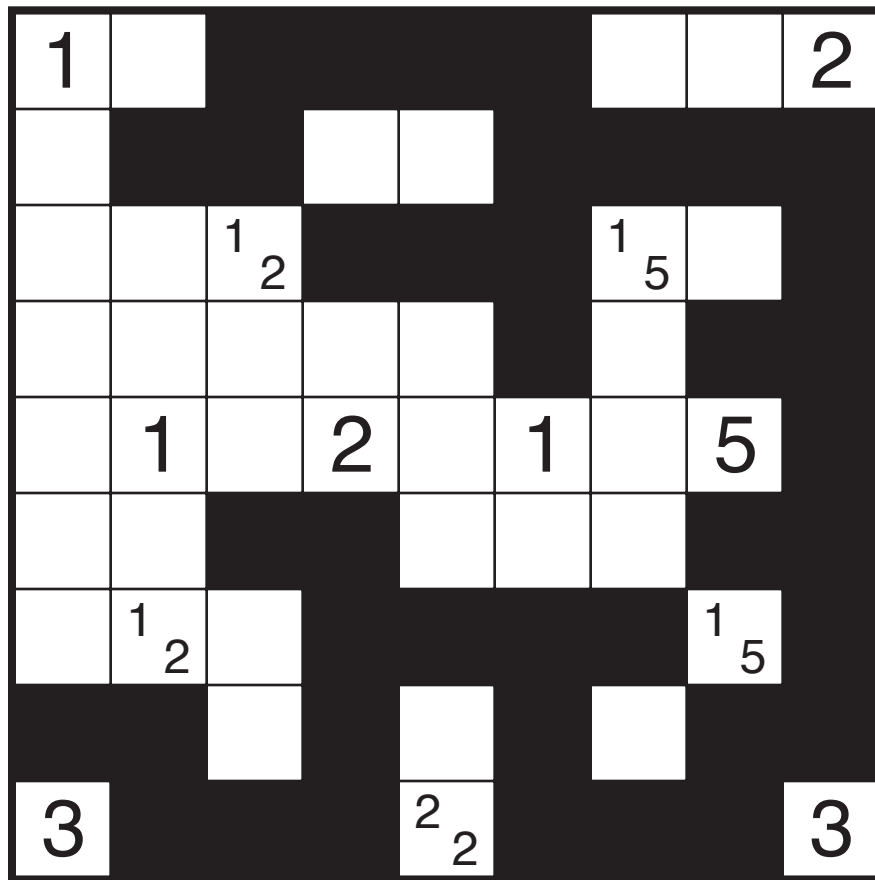
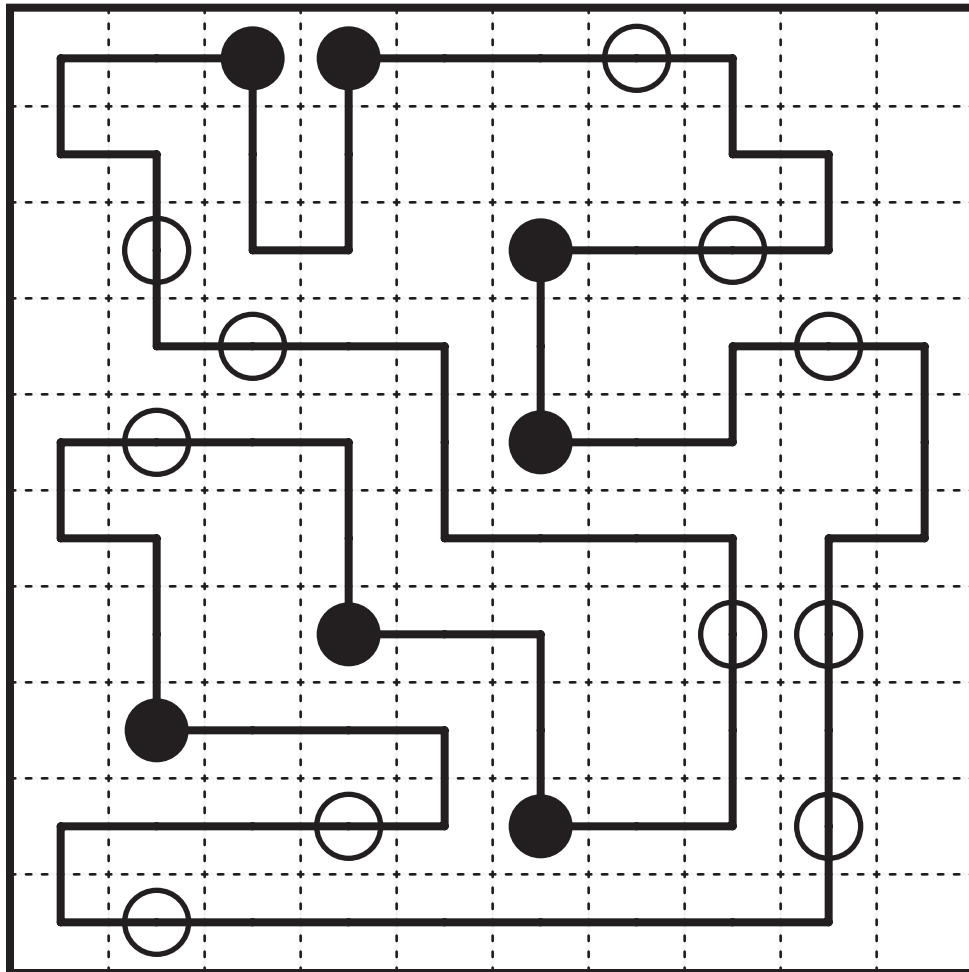


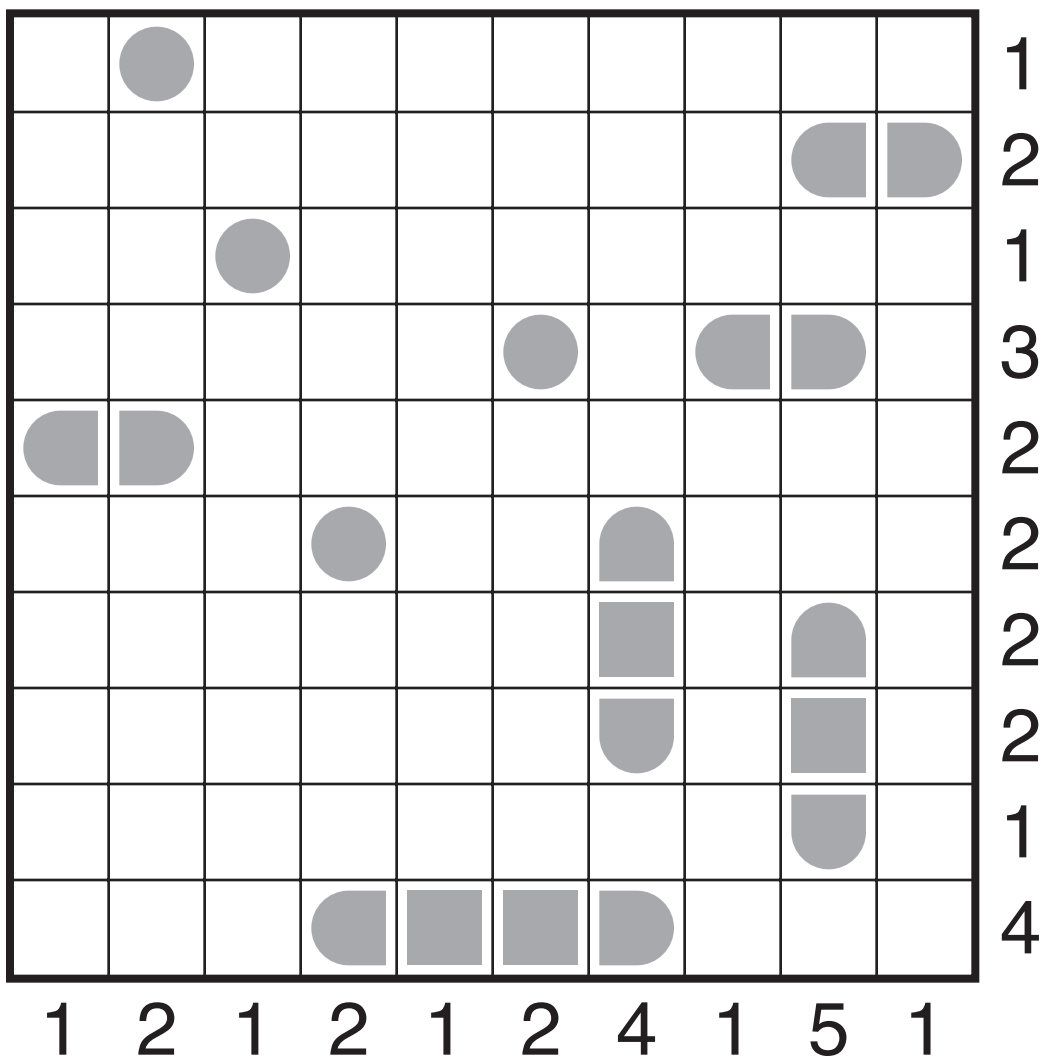
Solutions



GM: 1:00; M: 2:15; E: 4:30



GM: 1:00; M: 1:15; E: 2:30



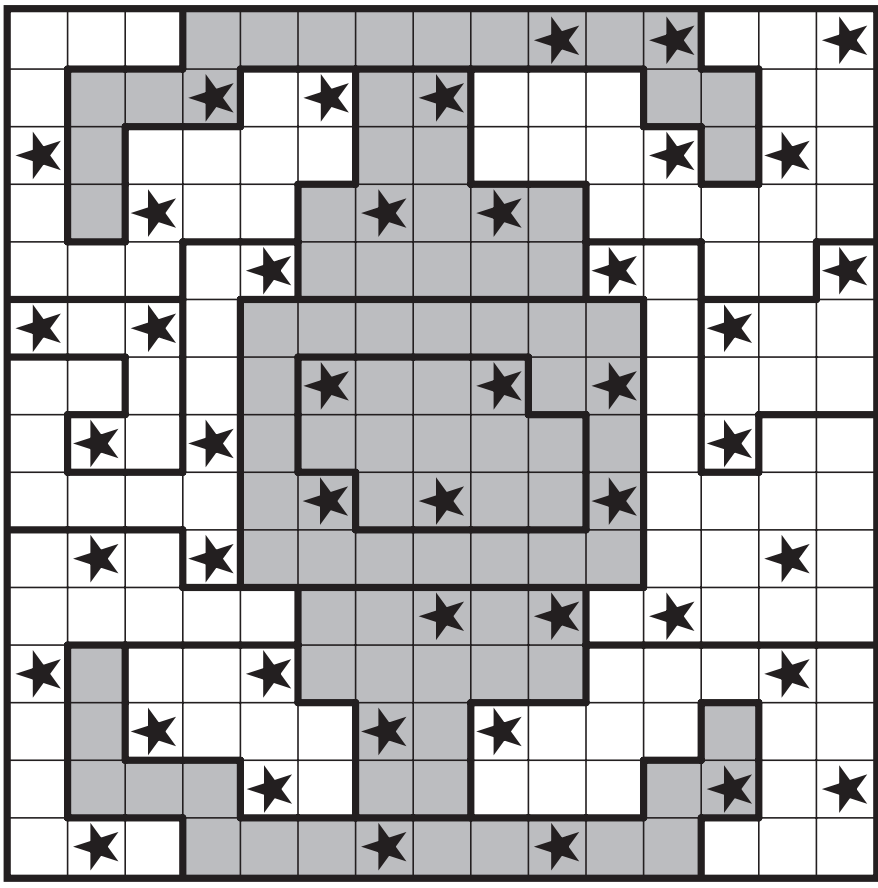
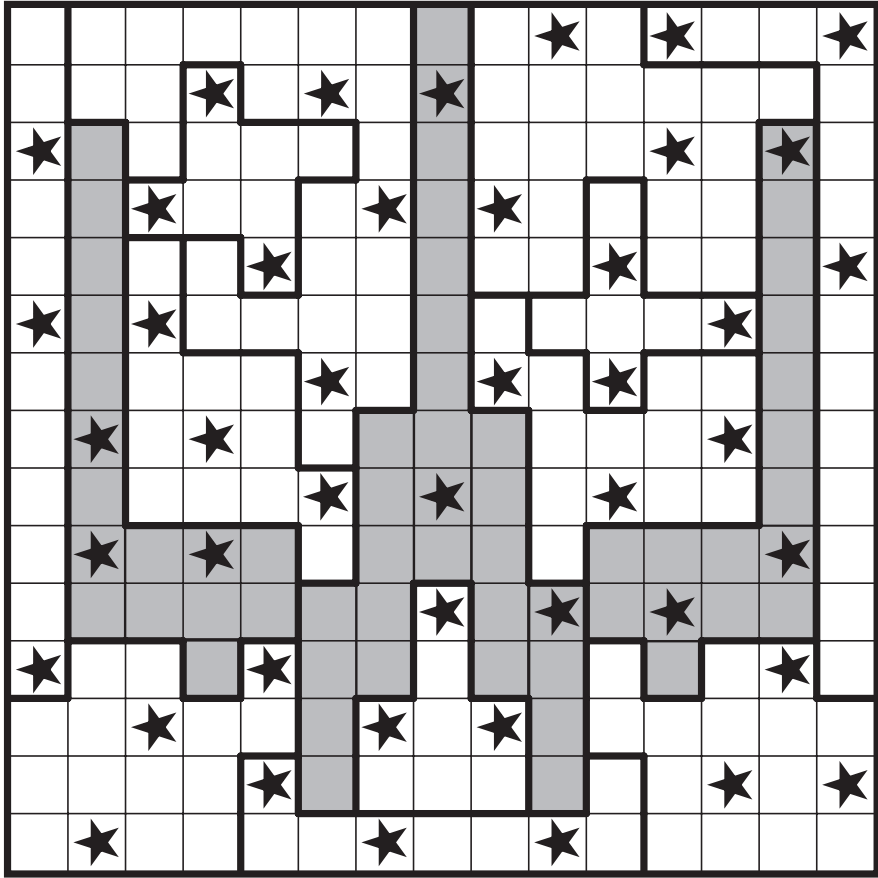
GM: 2:00; M: 3:15; E: 6:30

¹ 6	²⁴ 3	²⁰ 5	⁸ 4	2	1
1	2	4	6	¹⁵ 3	5
2	4	1	5	6	¹⁵ 3
3	5	6	2	⁰ 1	4
¹¹ 5	6	3	⁴ 1	4	2
¹ 4	1	2	3	5	6

GM: 3:15; M: 4:00; E: 8:00

4	1	3	7	9	6	5	2	8
5	2	7	4	8	1	9	3	6
9	8	6	2	3	5	1	4	7
1	4	9	3	5	7	6	8	2
8	3	5	6	4	2	7	1	9
7	6	2	8	1	9	4	5	3
2	7	1	5	6	3	8	9	4
3	9	8	1	7	4	2	6	5
6	5	4	9	2	8	3	7	1

GM: 4:30; M: 7:15; E: 14:30



GM: 9:30; M: 18:30; E: 37:00